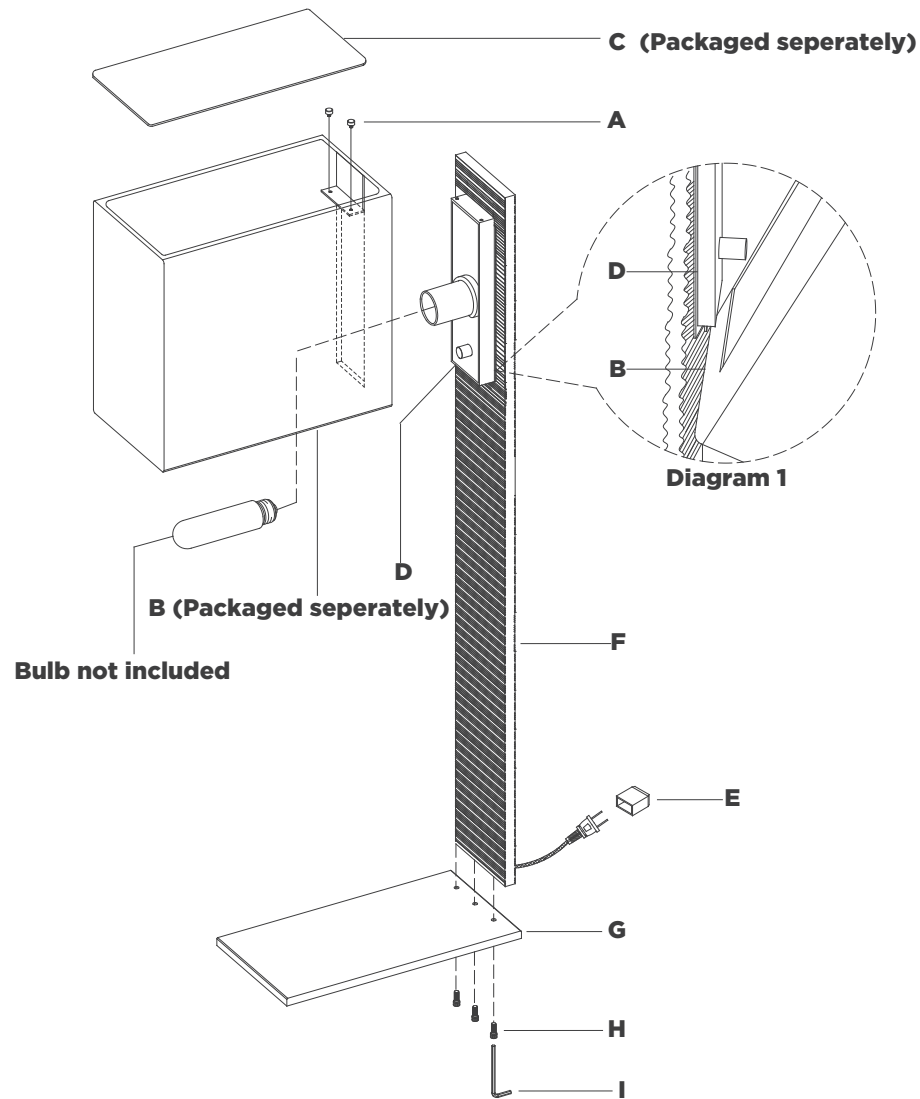


ASSEMBLY INSTRUCTIONS



Fumar 55" Statement Floor Lamp Item # AMB1075

NOTICE:

Inspect item carefully before attempting to install. If there is any damage or obvious defect, do not install. Item may not be returned once it has been installed.

1. Carefully remove all parts from the box. Place on a clean, soft surface.
2. Install fixture **(F)** to base **(G)** and secure with screws using provided allen wrench **(I)**.
3. Remove screws **(A)** from socket base **(D)**.
4. Remove shade **(B)** from packaging, then clip the lower end of shade opening onto the lower end of socket base **(D)** and secure with screws **(A)** (see diagram 1).
NOTE: If shade has additional packaging, carefully cut from interior of shade to avoid damage.
5. Install light bulb into the socket.
6. Place shade cover **(C)** onto top of shade **(B)**.
7. Remove protective cover **(E)** from plug.
8. Plug into electrical outlet and test the fixture.

CARE INSTRUCTIONS: Clean only with a soft dry cloth or feather duster. Do not use abrasive or chemical agents.