

ASSEMBLY INSTRUCTIONS

Armise 8" Pendant

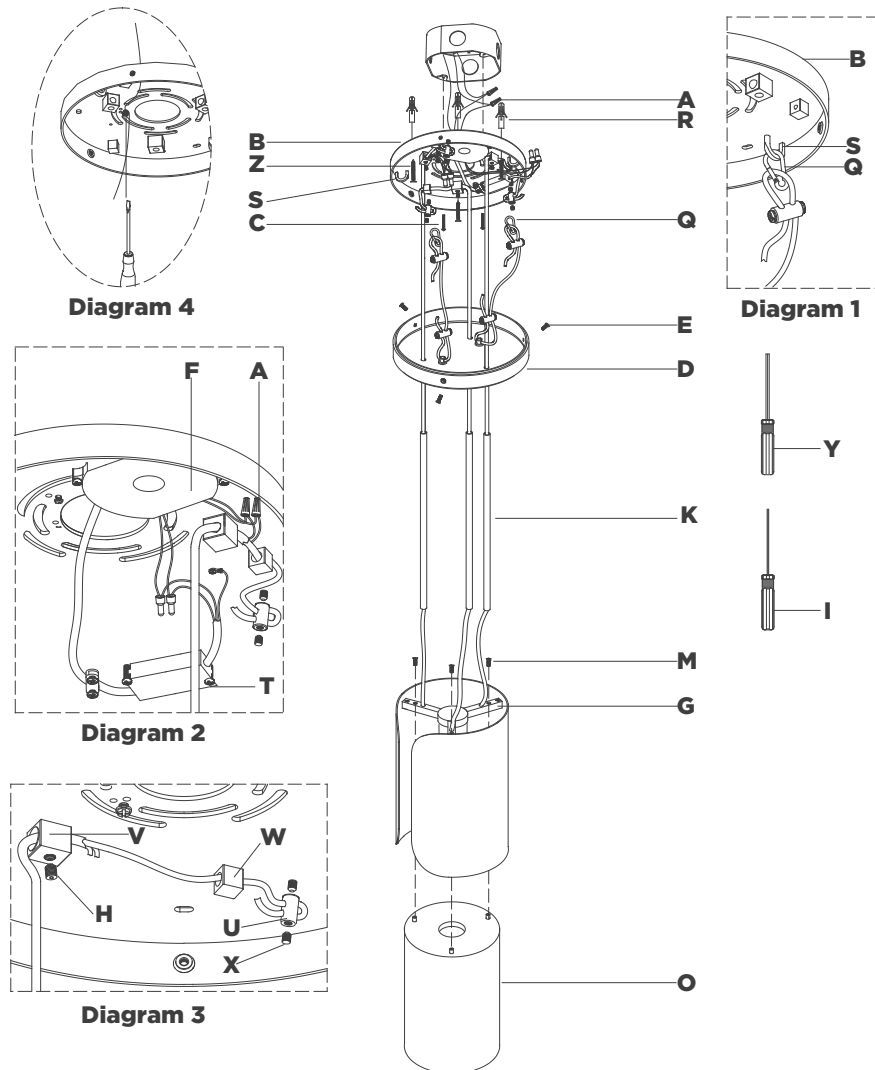
Item # AMB5000

NOTICE:

This light fixture should be installed in accordance with all applicable, local installation codes, and by a person familiar with the construction and operation of it, as well as the hazards involved. Inspect item and contents carefully. If any damage or defect is found, do not install. Retain all packaging material until installation is complete and approved.

TOOLS REQUIRED (NOT INCLUDED):

Phillips Screwdriver	Slotted Screwdriver	Wire Strippers
Wire Cutters	Measuring Tape	Hammer
Pencil	Drill	



- Carefully remove all parts from the box. Place on a clean, soft surface.
- Remove canopy **(D)** from mounting plate **(B)** by removing screws **(E)**.
- Using mounting plate **(B)** as a guide, line up with the junction box and mark anchor positions.
- Using a drill bit slightly smaller than the anchor, drill holes in the marked positions. Install anchors **(R)** into the holes using a hammer.
- Install mounting plate **(B)** to the junction box and secure with mounting screws **(C)**, then secure wood screws **(Z)** to anchors **(R)**.
- Gently set fixture on a flat, non-abrasive surface to assemble and adjust fixture hanging wires.
- Install shade **(O)** to fixture bracket **(G)** and secure with screws **(M)**.
- Hang hooks **(Q)** to loops **(S)** on mounting plate **(B)** (see diagram 1).
- Feed hanging cables through tubes **(K)** and canopy **(D)**.

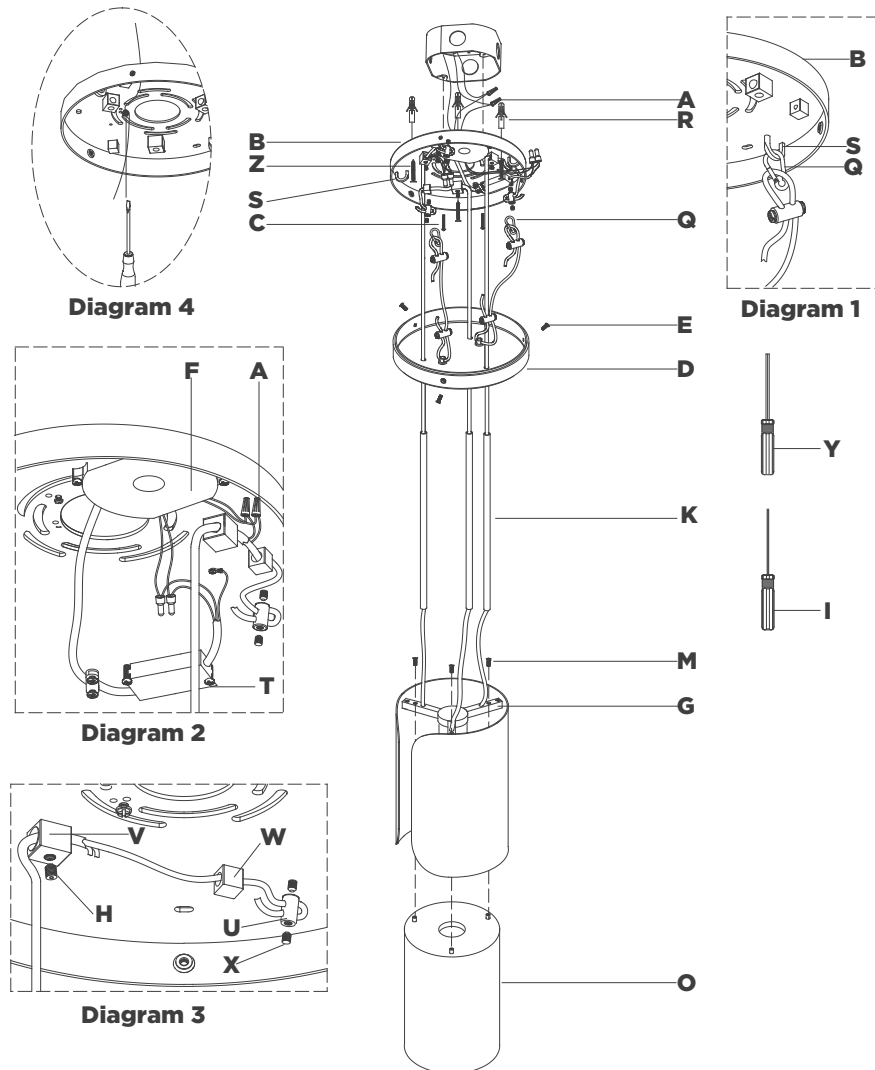
ASSEMBLY INSTRUCTIONS

Armise 8" Pendant

Item # AMB5000

NOTICE:

This light fixture should be installed in accordance with all applicable, local installation codes, and by a person familiar with the construction and operation of it, as well as the hazards involved. Inspect item and contents carefully. If any damage or defect is found, do not install. Retain all packaging material until installation is complete and approved.



10. Insert hanging cables through the center hole of wire strain reliefs **(V)** on mounting plate and secure with set screws **(H)** using provided screwdriver **(Y)** (see diagram 2).

NOTE: Double check height and ensure fixture is level before moving to next step.

11. After fixture height is achieved shorten wires by using a pair of cutters, leaving enough wire to connect to driver **(F)**.
12. Remove outer housing of fixture wire (marked "+" & "-") by making a neat cut all the way around, about 6" from the end. Once cut is made, remove and discard the piece of housing, exposing the electrical wires.

NOTE: Make sure not to cut too deep into housing or electrical wires could become damaged.

13. Separate black and white wire from the inner steel cable, then cut excess wires, being sure to leave enough to reach the driver. Separate wires and strip insulation on each 5/8".
14. Install steel cable to wire strain reliefs **(W)**, then loosen cable lock **(U)** and install to end of steel cables. Insert other end of cable through the cable lock and tighten ends **(X)** with a screwdriver **(I)** to secure (see diagram 2).
15. Remove outer housing of two hanging cable wire by making a neat cut all the way around, about 4" from the end. Once cut is made, remove and discard the piece of housing, exposing the electrical wires.
16. Separate black and white wire from the inner steel cable, then cut excess wires.

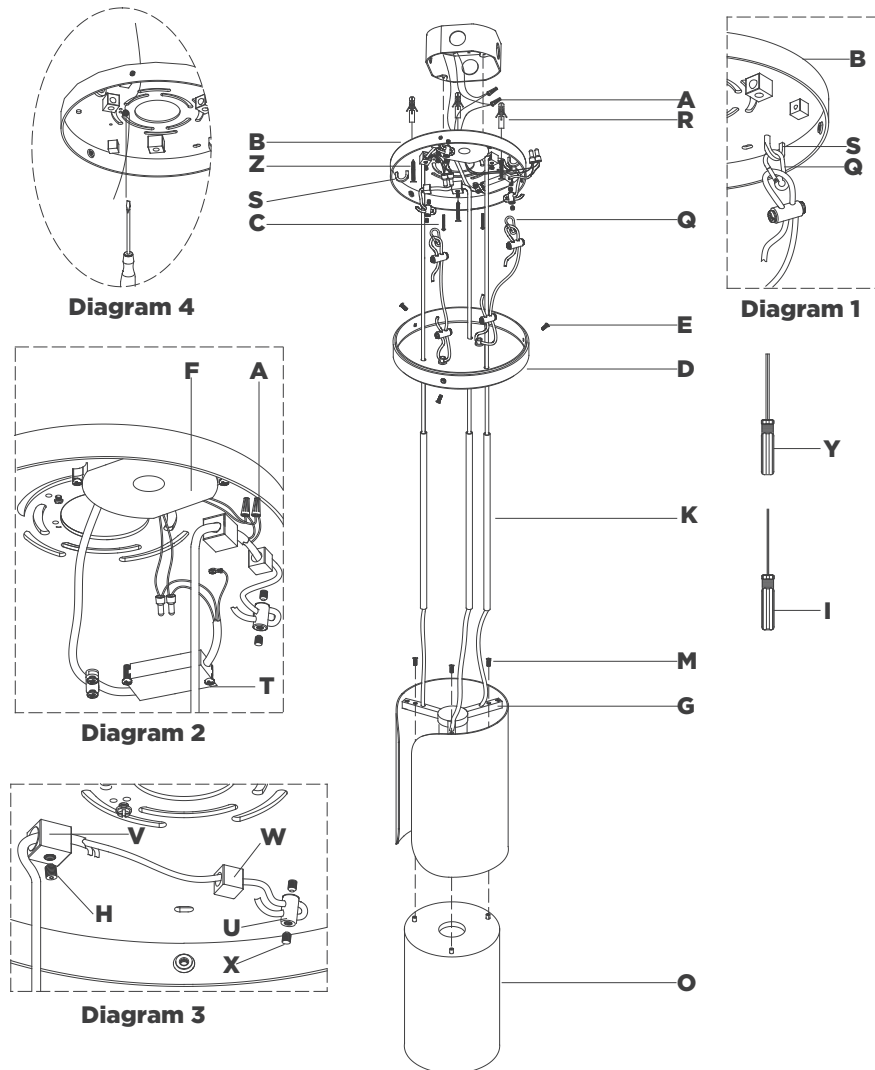
ASSEMBLY INSTRUCTIONS

Armise 8" Pendant

Item # AMB5000

NOTICE:

This light fixture should be installed in accordance with all applicable, local installation codes, and by a person familiar with the construction and operation of it, as well as the hazards involved. Inspect item and contents carefully. If any damage or defect is found, do not install. Retain all packaging material until installation is complete and approved.



17. Install steel cables to wire strain reliefs **(W)**, then loosen cable lock **(U)** and install to end of steel cables. Insert other end of cable through the cable lock and tighten ends **(X)** with a screwdriver to secure (see diagram 3).
18. Connect driver **(F)** output neutral wire (black) to the fixture neutral wire (black) using wire nut **(A)**.
19. Connect driver **(F)** output hot wire (red) to the fixture hot wire (red) using wire nut **(A)**.
CAUTION: Do not reverse the hot and neutral connections.
20. Connect supply ground wire (usually green or bare copper) around the green grounding screw (see diagram 4). Tighten.
NOTE: It is imperative that the fixture is grounded.
21. Connect filter **(T)** input neutral wire (white) to the supply neutral wire (usually white) using wire nut **(A)**.
22. Connect filter **(T)** input hot wire (black) to the supply hot wire (usually black) using wire nut **(A)**.
CAUTION: Do not reverse the hot and neutral connections.
23. Make sure all wire connections are tight, then carefully tuck into the junction box.
24. Install canopy **(D)** to mounting plate **(B)** and secure with screws **(E)**.

CARE INSTRUCTIONS: Clean only with a soft dry cloth or feather duster. Do not use abrasive or chemical agents.