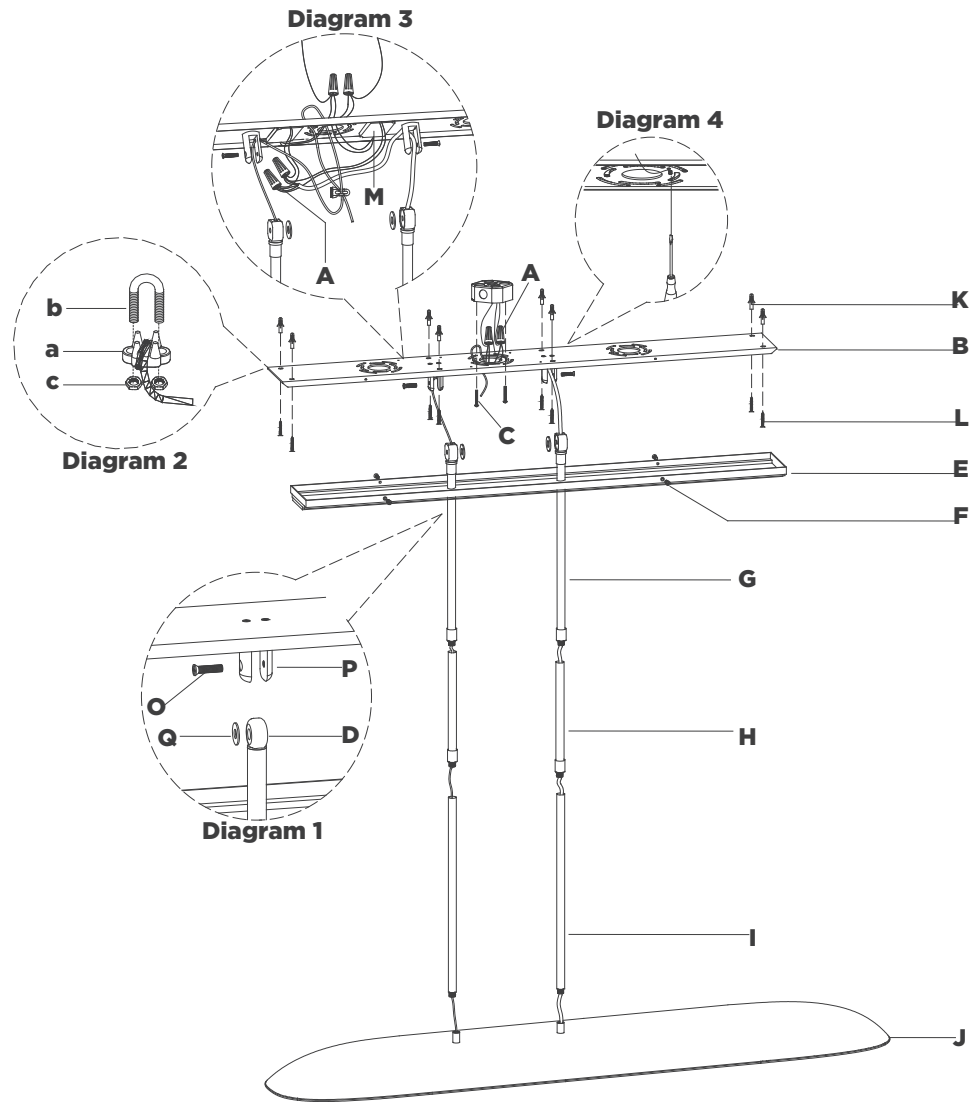


ASSEMBLY INSTRUCTIONS



Remi 60" Linear Pendant

Item # AMB5020

NOTICE:

This light fixture should be installed in accordance with all applicable, local installation codes, and by a person familiar with the construction and operation of it, as well as the hazards involved. Inspect item and contents carefully. If any damage or defect is found, do not install. Retain all packaging material until installation is complete and approved.

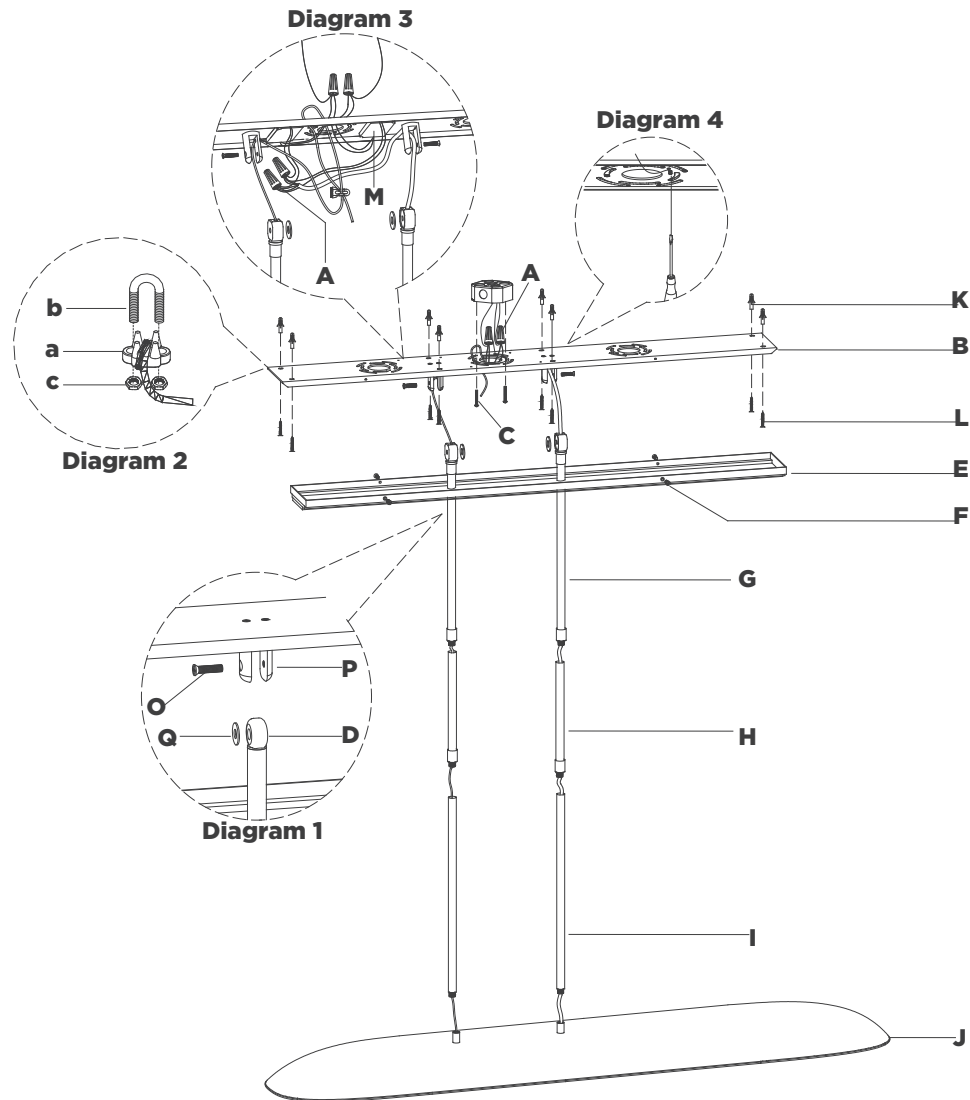
TOOLS REQUIRED (NOT INCLUDED):

Phillips Screwdriver	Slotted Screwdriver	Wire Strippers
Wire Cutters	Hammer	Pencil
Hammer		

PERSONS REQUIRED: Two

1. Carefully remove all parts from the box. Place on a clean, soft surface.
2. Remove canopy (E) from mounting plate (B) by removing screws (F).
3. Using mounting plate (B) as a guide, line up with the junction box and mark anchor positions.
4. Using a drill bit slightly smaller than the anchor, drill holes in the marked positions. Install anchors (K) into the holes using a hammer.
5. Install mounting plate (B) to the junction box and secure with mounting screws (C), then secure wood screws (L) to anchors (K).
6. Feed electrical wires and safety cable through bottom rods (I) and connect to shade (J). Repeat for middle rods (H), connecting to bottom rods (I).
7. Continue feeding wires and safety cable through canopy (E) and top rods (G).

ASSEMBLY INSTRUCTIONS



Remi 60" Linear Pendant

Item # AMB5020

NOTICE:

This light fixture should be installed in accordance with all applicable, local installation codes, and by a person familiar with the construction and operation of it, as well as the hazards involved. Inspect item and contents carefully. If any damage or defect is found, do not install. Retain all packaging material until installation is complete and approved.

8. Holding fixture upright, slide canopy (**E**) down and rest on shade (**J**). Then connect top rods (**G**) to middle rods (**H**).
NOTE: Slide components down slowly to avoid damage.
NOTE: It is recommended to have a helper assist in supporting the fixture for steps 9.
9. Hang fixture swivel balls (**D**) to collar (**P**) and secure with metal plate (**Q**) and screws (**O**) (see diagram 1).
10. Run support cable through hole on back of mounting plate (**B**). Wrap the support cable around the saddle (**a**), and secure with u-bolt (**b**) and hex nuts (**c**) (see diagram 2).
10. Cut excess wires, being sure to leave enough to reach the junction box. Separate wires and strip insulation on each 5/8".
11. Connect fixture neutral wire (black) to drivers (**M**) output wire (black) using wire nut (**A**) (see diagram 3).
12. Connect fixture hot wire (red) to drivers (**M**) output wire (red) using wire nut (**A**) (see diagram 3).
13. Connect supply ground wire (usually green or bare copper) around the green grounding screw (see diagram 4). Tighten.
NOTE: It is imperative that the fixture is grounded.
14. Connect drivers (**M**) input neutral wires (white) to the supply neutral wire (usually white) using wire nut (**A**).
15. Connect drivers (**M**) input hot wires (black) to the supply hot wire (usually black) using wire nut (**A**).
CAUTION: Do not reverse the hot and neutral connections.
16. Make sure all wire connections are tight, then carefully tuck into the junction box.

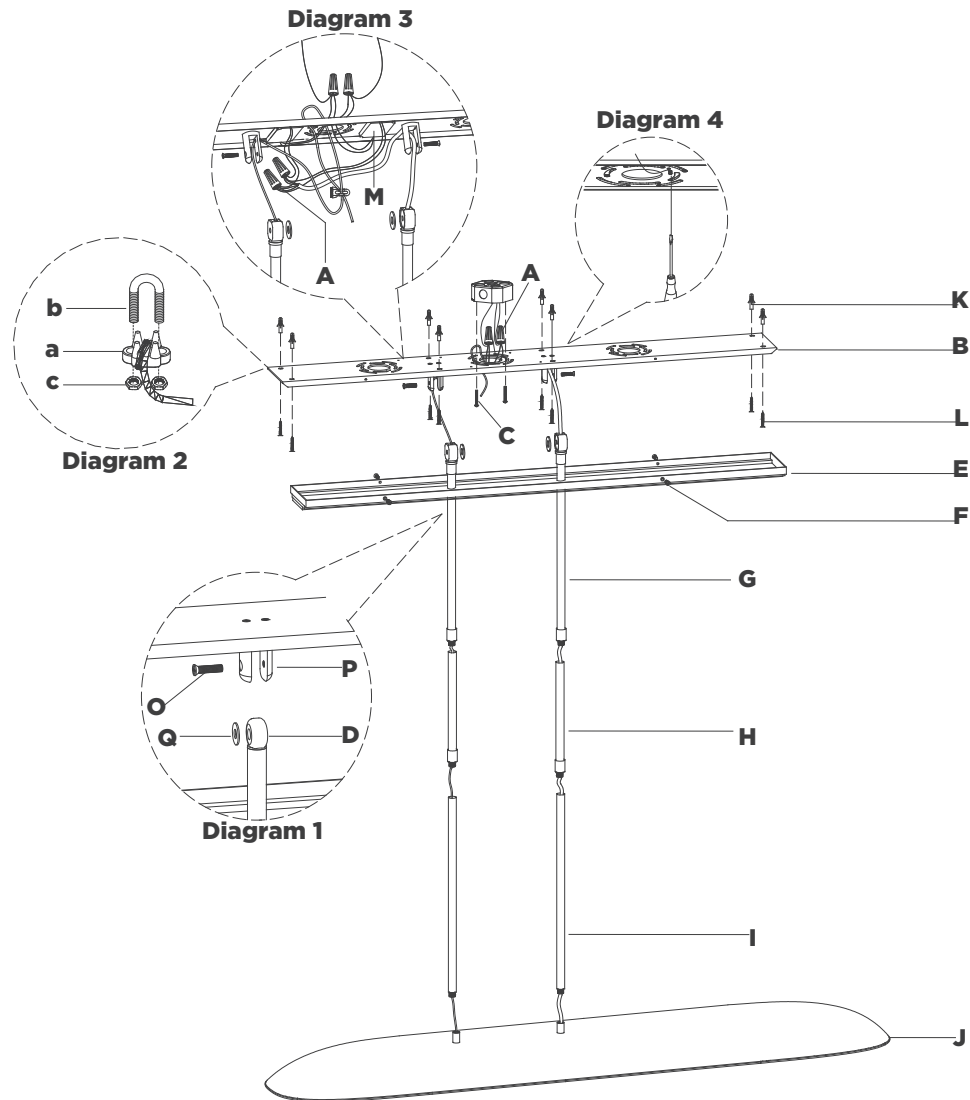
ASSEMBLY INSTRUCTIONS

Remi 60" Linear Pendant

Item # AMB5020

NOTICE:

This light fixture should be installed in accordance with all applicable, local installation codes, and by a person familiar with the construction and operation of it, as well as the hazards involved. Inspect item and contents carefully. If any damage or defect is found, do not install. Retain all packaging material until installation is complete and approved.



17. Install canopy **(E)** to mounting plate **(B)** and secure with screws **(F)**.

CARE INSTRUCTIONS: Clean only with a soft dry cloth or feather duster. Do not use abrasive or chemical agents.