

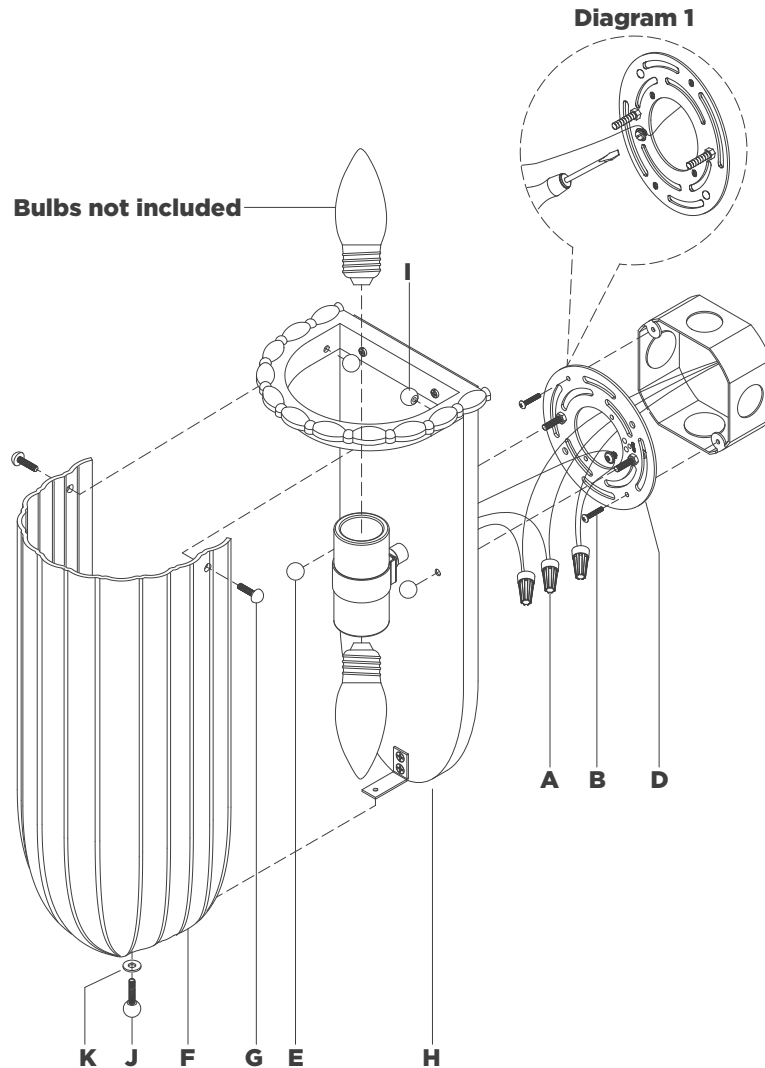
ASSEMBLY INSTRUCTIONS

Rosehill Linear Wall Light

Item # ARN2013

NOTICE:

This light fixture should be installed in accordance with all applicable, local installation codes, and by a person familiar with the construction and operation of it, as well as the hazards involved. Inspect item and contents carefully. If any damage or defect is found, do not install. Retain all packaging material until installation is complete and approved.



9. Install light bulb into the socket.
10. Install shade **(F)** to fixture **(H)** by secure thumbscrews **(G)** using threaded caps **(E)**.
NOTE: Do not overtighten otherwise glass shade could be damaged.
11. Install rubber washer **(K)** and thumbscrew **(J)** to bottom of fixture **(H)**.

CARE INSTRUCTIONS: Clean only with a soft dry cloth or feather duster. Do not use abrasive or chemical agents.