

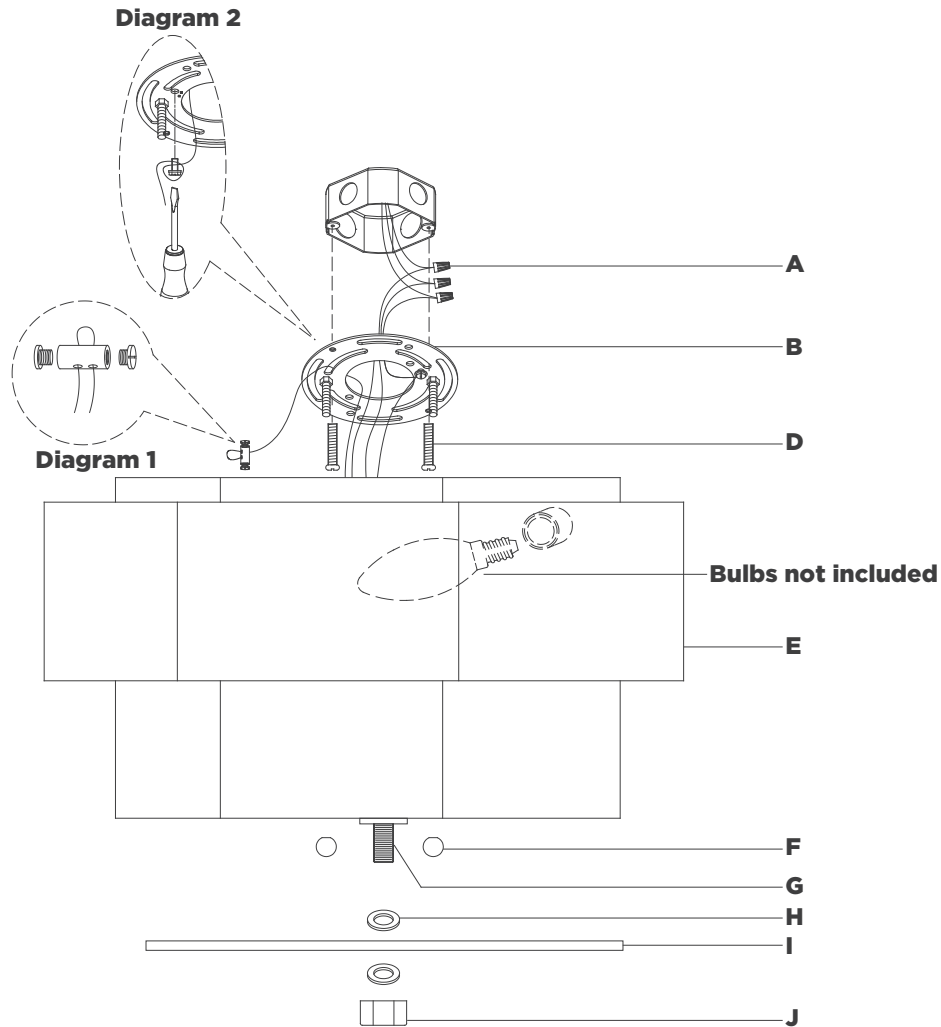
ASSEMBLY INSTRUCTIONS

Arabelle Large Flush Mount

Item # ARN4307

NOTICE:

This light fixture should be installed in accordance with all applicable, local installation codes, and by a person familiar with the construction and operation of it, as well as the hazards involved. Inspect item and contents carefully. If any damage or defect is found, do not install. Retain all packaging material until installation is complete and approved.



9. Install fixture **(E)** to mounting plate **(B)** and secure with threaded caps **(F)**.
10. Install light bulbs into the sockets.
11. Attach rubber washers **(H)** to either side of diffuser **(I)** and secure to threaded nipple **(G)** with finial **(J)**.

CARE INSTRUCTIONS: Clean only with a soft dry cloth or feather duster. Do not use abrasive or chemical agents.