

## ASSEMBLY INSTRUCTIONS

## Loire Medium Tiered Flush Mount

Item # ARN4450

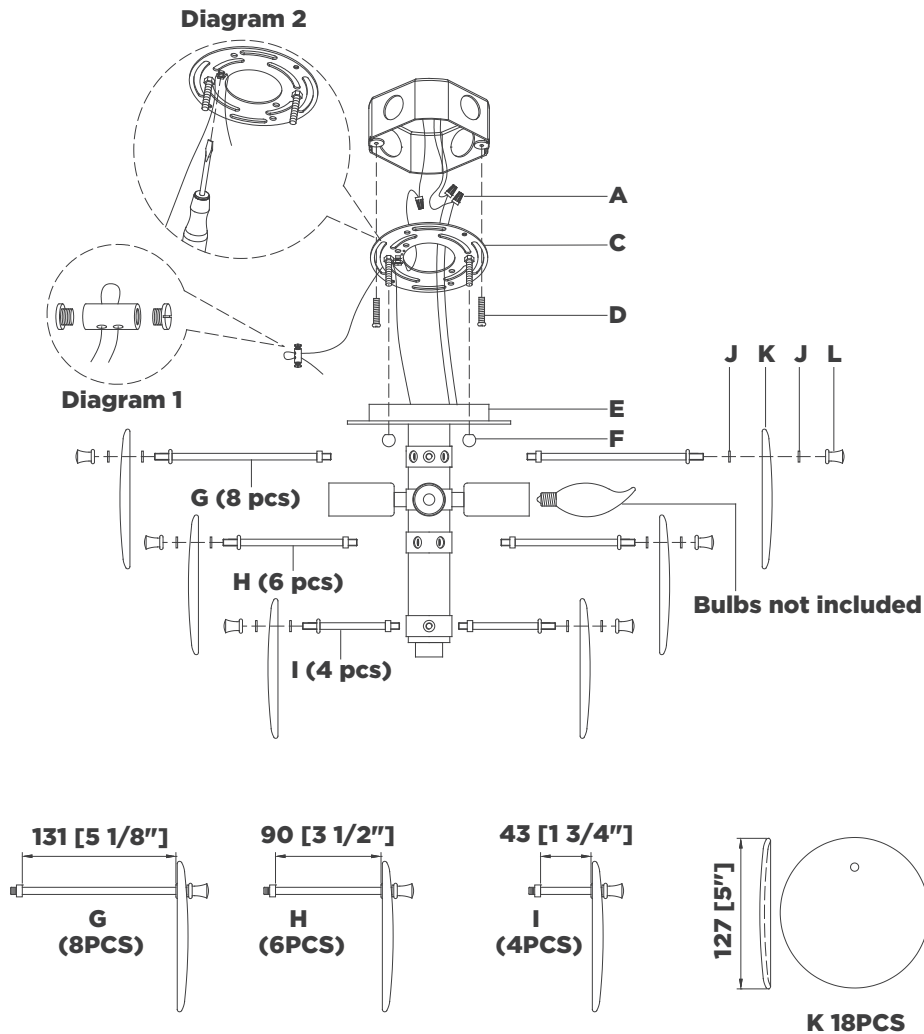
### NOTICE:

This light fixture should be installed in accordance with all applicable, local installation codes, and by a person familiar with the construction and operation of it, as well as the hazards involved. Inspect item and contents carefully. If any damage or defect is found, do not install. Retain all packaging material until installation is complete and approved.

### TOOLS REQUIRED (NOT INCLUDED):

Phillips Screwdriver

Slotted Screwdriver



- Carefully remove all parts from the box. Place on a clean, soft surface.
- Remove mounting plate **(C)** from fixture **(E)** by removing threaded caps **(F)**.
- Install mounting plate **(C)** to the junction box and secure with mounting screws **(D)**.
- Run support cable through hole on back of mounting plate **(C)**. Loosen cable lock and install to end of support cable. Insert other end of cable through the cable lock and tighten ends with a screwdriver to secure (see diagram 1).
- Wrap fixture ground wire (bare copper) around the green grounding screw (see diagram 2). Tighten. Continue fixture ground wire and connect to supply ground wire (usually green or bare copper) using wire nut **(A)**.  
**NOTE:** It is imperative that the fixture is grounded.
- Connect fixture neutral wire (white) to the supply neutral wire (usually white) using wire nut **(A)**.
- Connect fixture hot wire (black) to the supply hot wire (usually black) using wire nut **(A)**.  
**CAUTION:** Do not reverse the hot and neutral connections.
- Make sure all wire connections are tight, then carefully tuck into the junction box.

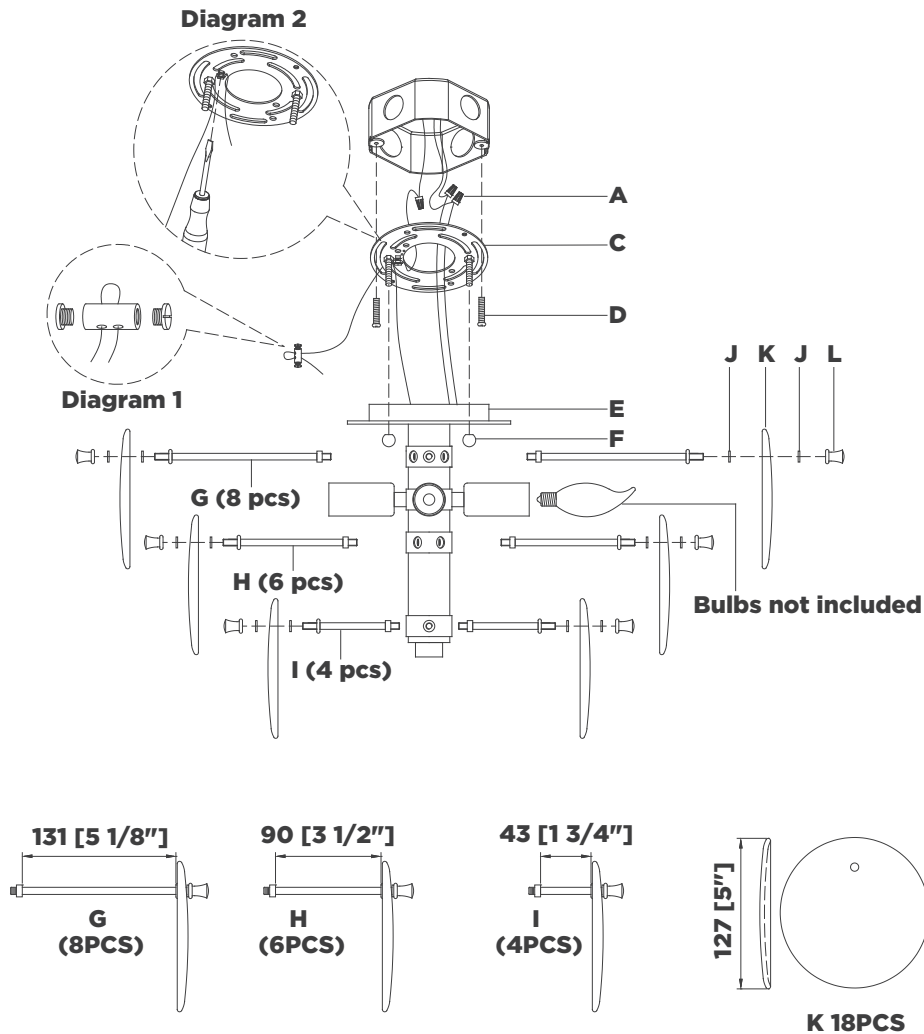
## ASSEMBLY INSTRUCTIONS

## Loire Medium Tiered Flush Mount

Item # ARN4450

### NOTICE:

This light fixture should be installed in accordance with all applicable, local installation codes, and by a person familiar with the construction and operation of it, as well as the hazards involved. Inspect item and contents carefully. If any damage or defect is found, do not install. Retain all packaging material until installation is complete and approved.



9. Install fixture **(E)** to mounting plate **(C)** and secure with threaded caps **(F)**.
10. Remove socket ring **(G)** from socket, then install shade **(F)** to socket and secure with socket ring **(G)**.
11. Install light bulbs into the sockets.
12. Thread metal rods **(I & H & G)** to center hub of fixture body.
13. Remove finials **(L)** from metal rods **(I)**, then attach glass **(K)** and secure with rubber washers **(J)** and finials **(L)**.
14. Remove finials **(L)** from metal rods **(H)**, then attach glass **(K)** and secure with rubber washers **(J)** and finials **(L)**.
15. Remove finials **(L)** from metal rods **(G)**, then attach glass **(K)** and secure with rubber washers **(J)** and finials **(L)**.

**CARE INSTRUCTIONS:** Clean only with a soft dry cloth or feather duster. Do not use abrasive or chemical agents.