

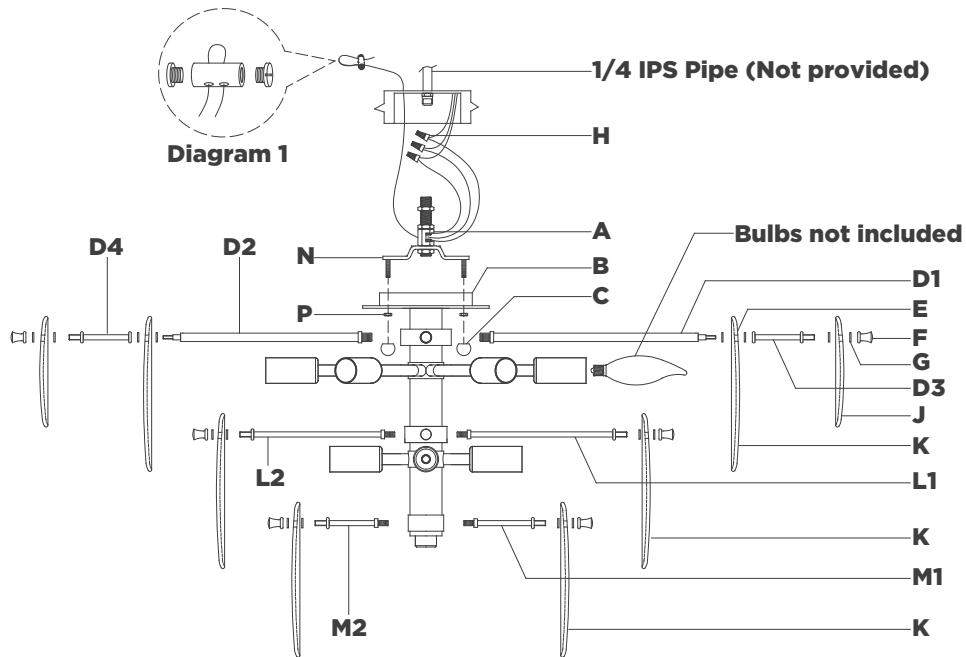
## ASSEMBLY INSTRUCTIONS

## Loire Grande Flush Mount

Item # ARN4453

### NOTICE:

This light fixture should be installed in accordance with all applicable, local installation codes, and by a person familiar with the construction and operation of it, as well as the hazards involved. Inspect item and contents carefully. If any damage or defect is found, do not install. Retain all packaging material until installation is complete and approved.



### TOOLS REQUIRED (NOT INCLUDED):

Phillips Screwdriver

Slotted Screwdriver

1. Carefully remove all parts from the box. Place on a clean, soft surface.
2. Remove mounting bracket **(N)** from canopy **(B)** by removing threaded caps **(C)**.
3. Remove hickey **(A)** from mounting bracket **(N)** by removing hex nut.
4. It is recommended to install a 1/4 IPS threaded pipe, secured to a structural member of the building. Then install hickey **(A)** into threaded pipe and tighten with wrench.  
**NOTE:** Item must be supported independent of the junction box due to hanging weight.
5. Install threaded nipple to hickey **(A)**, then install mounting bracket **(N)** to threaded nipple by tightening locknut.
6. Loosen cable lock and install to end of safety cable. Run safety cable through junction box and around structural member of building. Insert cable through cable lock and tighten the ends with a screwdriver to secure (see diagram 1).
7. Connect fixture ground wire (bare copper) to supply ground wire (usually green or bare copper) using wire nut **(H)**.

**NOTE:** It is imperative that the fixture is grounded.



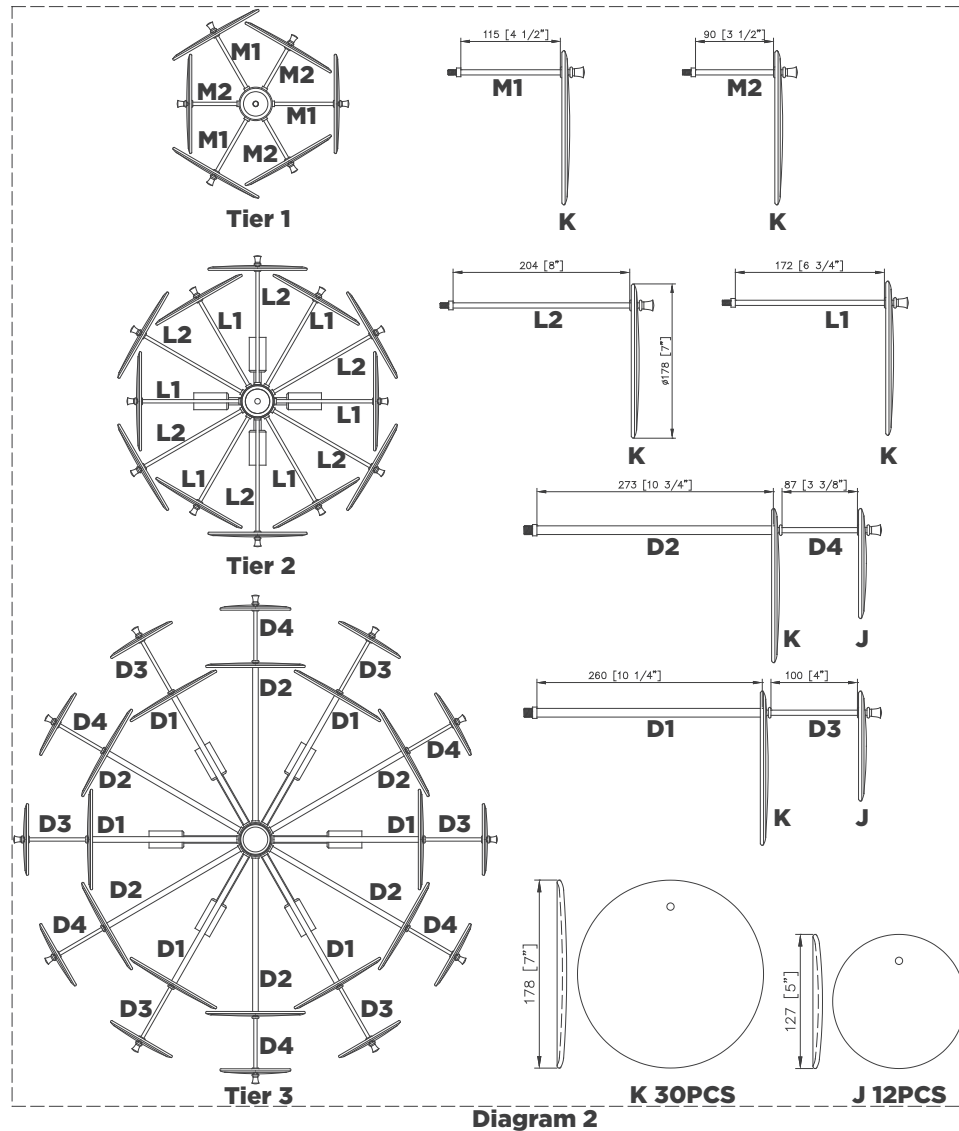
## ASSEMBLY INSTRUCTIONS

## Loire Grande Flush Mount

Item # ARN4453

### NOTICE:

This light fixture should be installed in accordance with all applicable, local installation codes, and by a person familiar with the construction and operation of it, as well as the hazards involved. Inspect item and contents carefully. If any damage or defect is found, do not install. Retain all packaging material until installation is complete and approved.



### Metal Rod & Glass Assembly:

(Reference Diagrams 2 for steps 1-11 below)

#### Tier 1

1. Thread metal rods **(M1 & M2)** to center hub of fixture body.
2. Remove finial **(F)** from metal rods **(M2)**, then attach glass **(K)** and secure with rubber washers **(G)** and finial **(F)**.
3. Repeat for metal rods **(M1)**, securing glass **(K)**.

**NOTE:** Alternate metal rods & glass discs as shown in Diagram 2.

#### Tier 2

4. Thread metal rods **(L1 & L2)** to center hub of fixture body.
5. Remove finial **(F)** from metal rods **(L1)**, then attach glass **(K)** and secure with rubber washers **(G)** and finial **(F)**.
6. Repeat for metal rods **(L2)**, securing glass **(K)**.

**NOTE:** Reference orientation of Tier 1 on Diagram 2 to find starting point for glass parts, then alternate as shown.

#### Tier 3

**NOTE:** Reference orientation of Tier 2 on Diagram 2 to find starting point for glass parts, then alternate as shown.

7. Thread metal rods **(D1 & D2)** to center hub of fixture body.
8. Remove metal rods **(D3)** from metal rods **(D1)**, then attach glass **(K)** and secure with rubber washer **(G)** and metal rods **(D3)**.
9. Remove finial **(F)** from metal rods **(D3)**, then attach glass **(J)** and secure with rubber washer **(G)** and finial **(F)**.

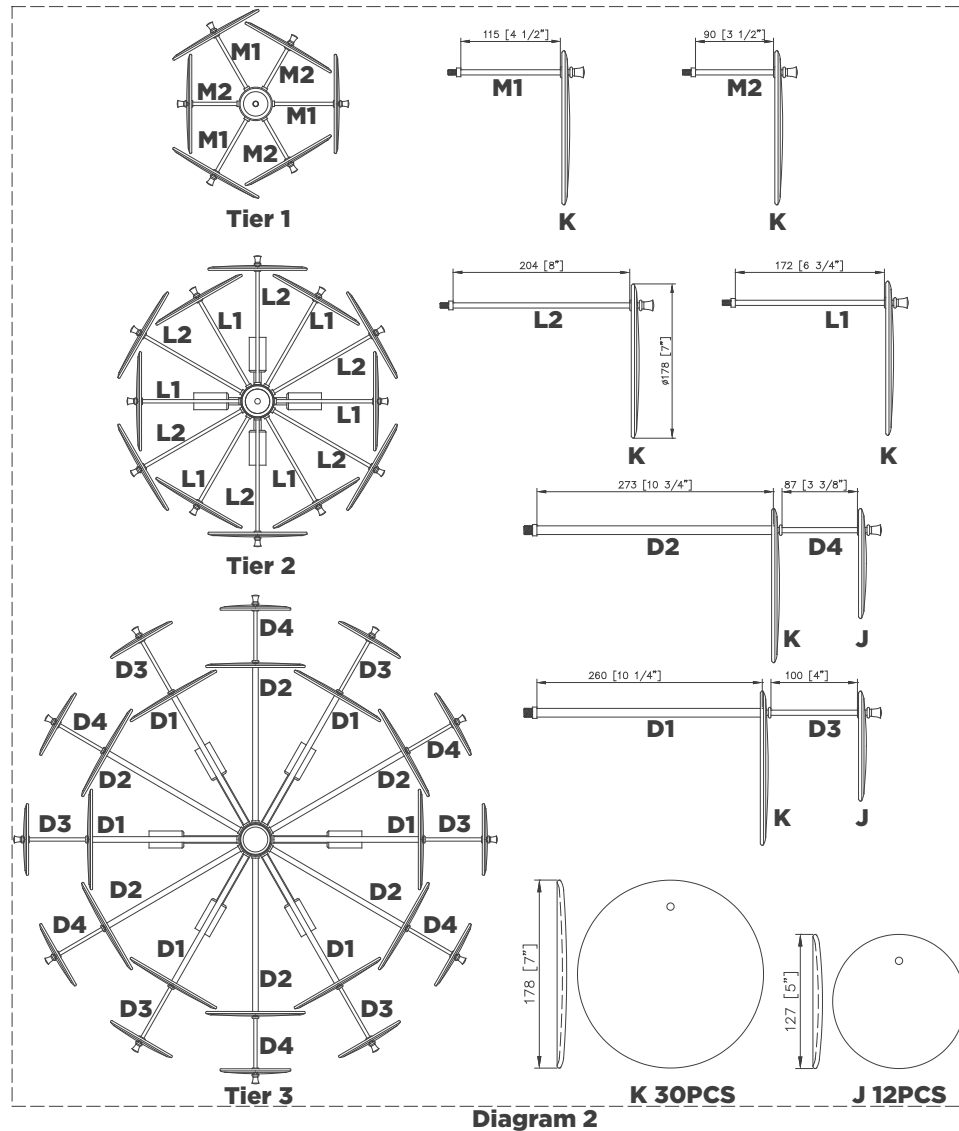
## ASSEMBLY INSTRUCTIONS

Loire Grande Flush Mount

Item # ARN4453

### NOTICE:

This light fixture should be installed in accordance with all applicable, local installation codes, and by a person familiar with the construction and operation of it, as well as the hazards involved. Inspect item and contents carefully. If any damage or defect is found, do not install. Retain all packaging material until installation is complete and approved.



10. Remove metal rods (**D4**) from metal rods (**D2**), then attach glass (**K**) and secure with rubber washer (**G**) and metal rods (**D4**).
11. Remove finial (**F**) from metal rods (**D4**), then attach glass (**J**) and secure with rubber washer (**G**) and finial (**F**).

**CARE INSTRUCTIONS:** Clean only with a soft dry cloth or feather duster. Do not use abrasive or chemical agents.