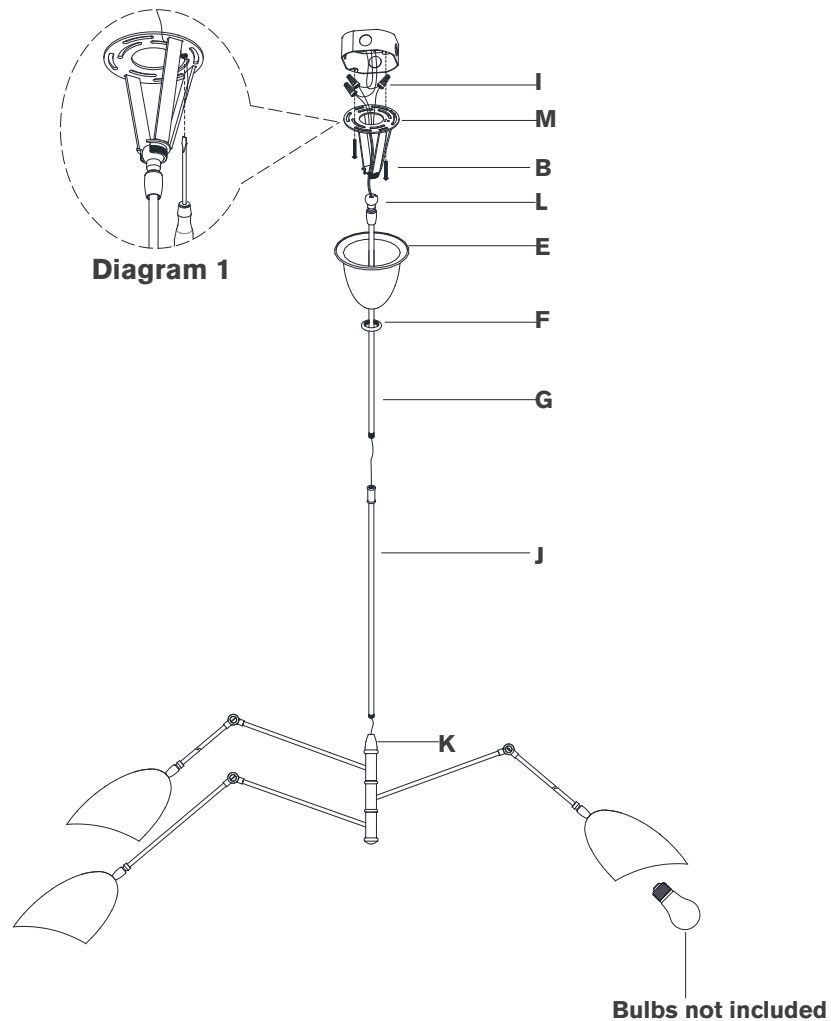


ASSEMBLY INSTRUCTIONS



Sommerard Medium Triple-Arm Chandelier

Item # ARN 5008

NOTICE:

This light fixture should be installed in accordance with all applicable, local installation codes, and by a person familiar with the construction and operation of it, as well as the hazards involved. Inspect item and contents carefully. If any damage or defect is found, do not install. Retain all packaging material until installation is complete and approved.

TOOLS REQUIRED (NOT INCLUDED):

Phillips Screwdriver	Slotted Screwdriver	Wire Strippers
Slip Joint Pliers	Wire Cutters	

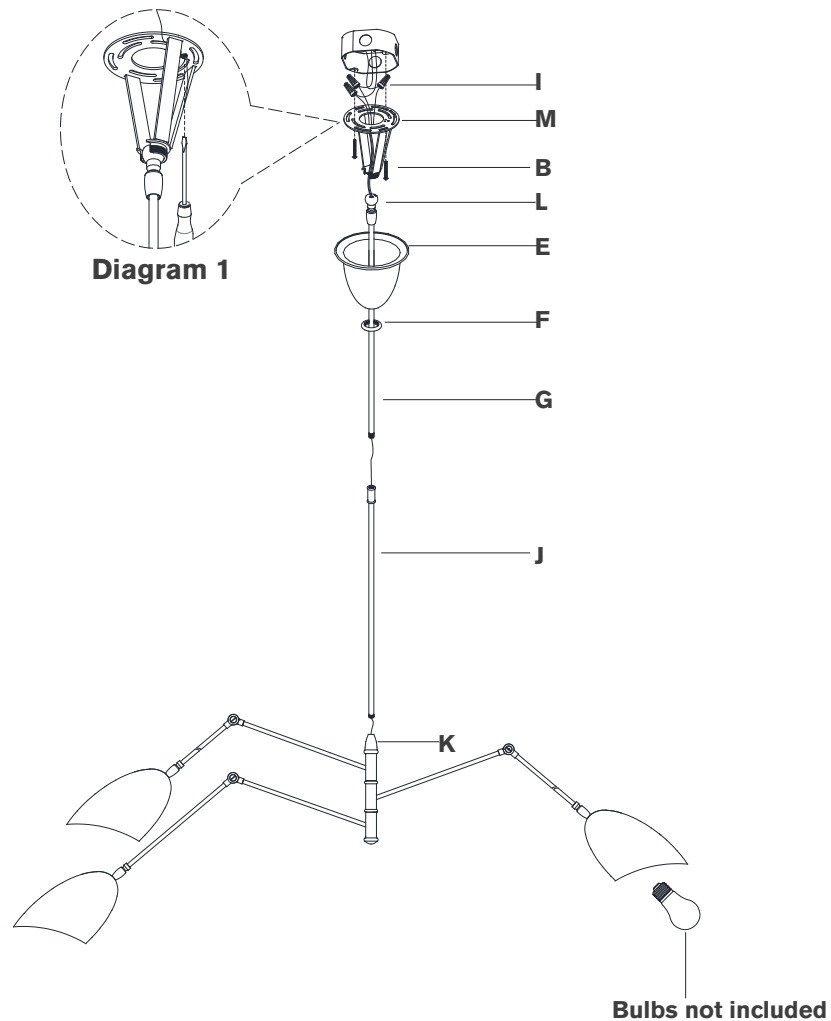
1. Carefully remove all parts from the box. Place on a clean, soft surface.
2. Remove mounting plate (**M**) from canopy (**E**) by removing collar ring (**F**).
3. Install mounting plate (**M**) to junction box and secure with mounting screws (**B**).
4. Feed fixture wire and ground wire through bottom rod (**J**) and connect to fixture body (**K**).
5. Continue feeding wires through collar ring (**F**), canopy (**E**), and top rod (**G**).
6. Holding fixture upright, slide collar ring (**F**) and canopy (**E**) down rod (**J**) and rest on fixture body (**K**), then connect rod (**G**) to rod (**J**).

NOTE: Slide components down slowly to avoid damages.

7. Hang fixture swivel ball (**L**) to the center of mounting plate (**A**).
8. Cut excess wires, being sure to leave enough length to reach the junction box. Separate wires, and strip insulation on each 5/8".
9. Wrap fixture ground wire (bare copper) around the green grounding screw (see diagram 1). Tighten. Continue fixture ground wire and connect to supply ground wire (usually green or bare copper) using wire nut (**I**).

NOTE: It is imperative that the fixture is grounded.

ASSEMBLY INSTRUCTIONS



Sommerard Medium Triple-Arm Chandelier

Item # ARN 5008

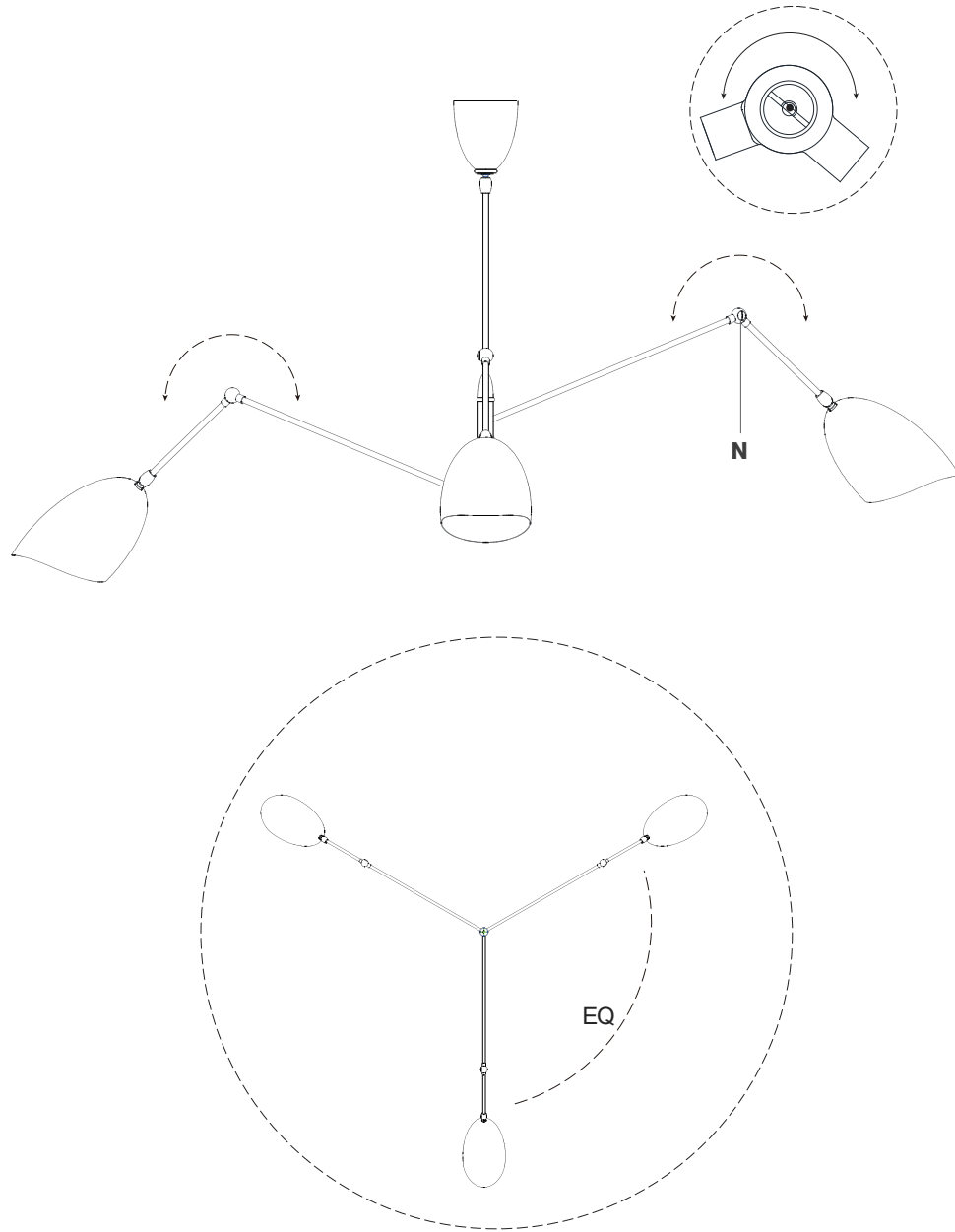
NOTICE:

This light fixture should be installed in accordance with all applicable, local installation codes, and by a person familiar with the construction and operation of it, as well as the hazards involved. Inspect item and contents carefully. If any damage or defect is found, do not install. Retain all packaging material until installation is complete and approved.

10. Connect fixture neutral wire (ribbed) to the supply neutral wire (usually white) using wire nut **(I)**.
11. Connect fixture hot wire (smooth with markings) to the supply hot wire (usually black) using wire nut **(I)**.
CAUTION: Do not reverse the hot and neutral connections.
12. Make sure all wire connections are tight, then carefully tuck into the junction box.
13. Install canopy **(E)** to mounting plate **(M)** and secure with collar ring **(F)**.
14. Install light bulbs to the sockets.

Care Instructions: Clean only with a soft dry cloth or feather duster. Do not use abrasive or chemical agents.

UNPACKING NOTICE



Sommerard Medium Triple-Arm Chandelier

Item # ARN 5008

NOTICE:

Please follow instructions below to avoid damages caused by improper removal.

PERSONS REQUIRED:

 Two

1. Open box and remove top layer of packaging.
2. With helper assisting, carefully remove item from packaging supporting all arms. Rotate arm positions with equal distance in between each for proper balance and tighten adjustment knobs (**N**) at elbows to desired position.
3. Have helper support fixture for remainder of installation to avoid damages.