

ASSEMBLY INSTRUCTIONS

Halo Small Hanging Shade

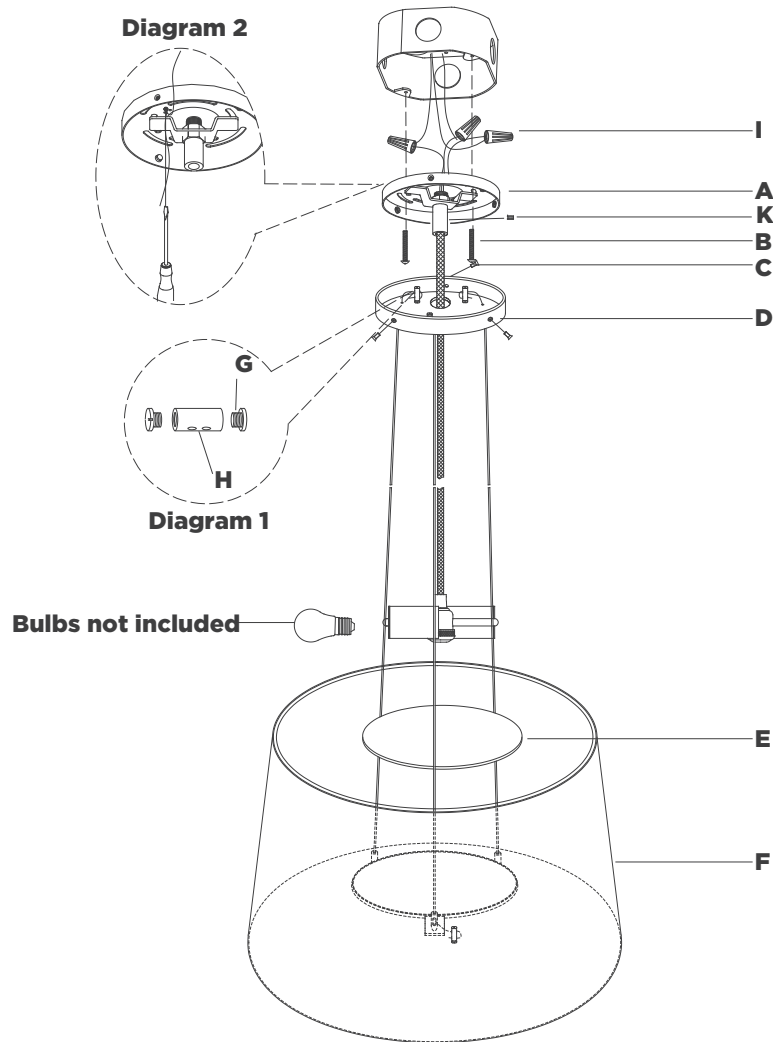
Item # BBL5089

NOTICE:

This light fixture should be installed in accordance with all applicable, local installation codes, and by a person familiar with the construction and operation of it, as well as the hazards involved. Inspect item and contents carefully. If any damage or defect is found, do not install. Retain all packaging material until installation is complete and approved.

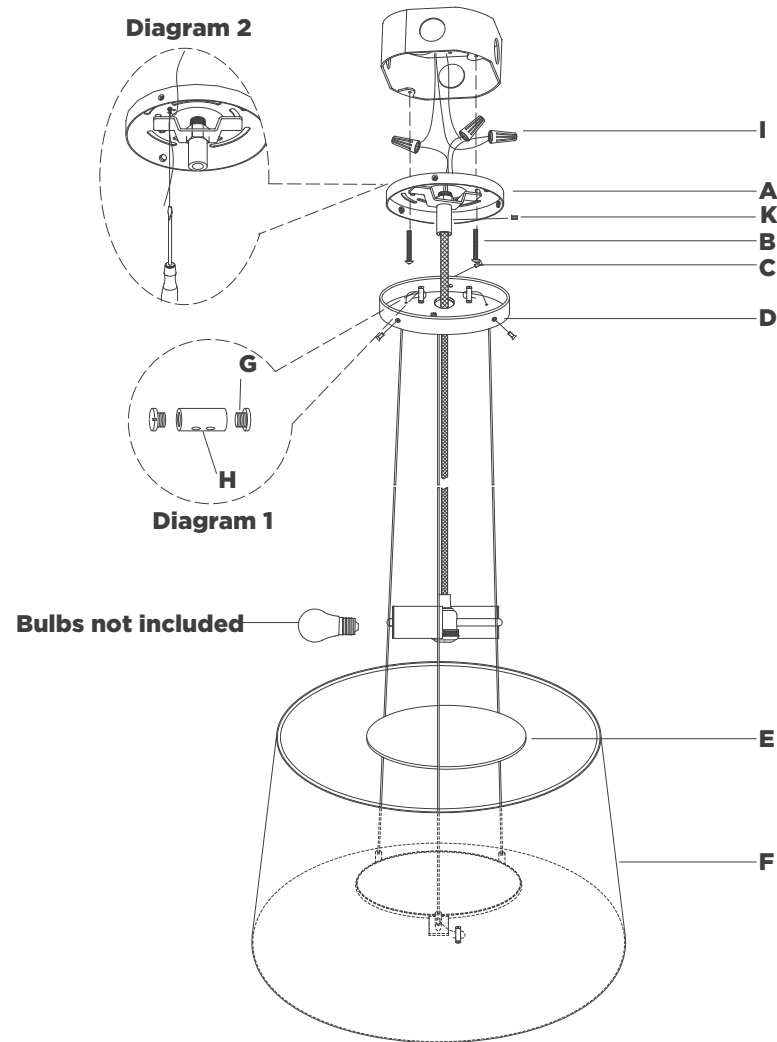
TOOLS REQUIRED (NOT INCLUDED):

Phillips Screwdriver Slotted Screwdriver Wire Strippers
Wire Cutters



1. Carefully remove all parts from the box. Place on a clean, soft surface.
2. Remove mounting plate **(A)** from canopy **(D)** by removing screws **(C)**.
3. Install mounting plate **(A)** to the junction box and secure with mounting screws **(B)**.
4. Feed hanging cables through the holes of canopy **(D)**.
5. Install cable locks **(H)** to end of hanging cables. Insert hanging cable through other end of locks and tighten ends **(G)** to secure (see diagram 1).
6. Adjust hanging cables to desired height and level fixture.
NOTE: Double check height and ensure fixture is level before moving to next step.
7. Feed fixture wire through the center hole of canopy **(D)** and mounting plate **(A)**, then adjust fixture wire to desired height and secure with set screw **(K)**.
8. Cut excess wires, being sure to leave enough to reach the junction box. Separate fixture wires and strip insulation on each 5/8".

ASSEMBLY INSTRUCTIONS



Halo Small Hanging Shade

Item # BBL5089

NOTICE:

This light fixture should be installed in accordance with all applicable, local installation codes, and by a person familiar with the construction and operation of it, as well as the hazards involved. Inspect item and contents carefully. If any damage or defect is found, do not install. Retain all packaging material until installation is complete and approved.

9. Wrap fixture ground wire (bare copper) around the green grounding screw (see diagram 2). Tighten. Continue fixture ground wire and connect to supply ground wire (usually green or bare copper) using wire nut **(I)**.

NOTE: It is imperative that the fixture is grounded.

10. Connect fixture neutral wire (ribbed) to the supply neutral wire (usually white) using wire nut **(I)**.
 11. Connect fixture hot wire (smooth with markings) to the supply wire (usually black) using wire nut **(I)**.
- CAUTION:** Do not reverse the hot and neutral connections.
12. Make sure all wire connections are tight, then carefully tuck into the junction box.
 13. Install canopy **(D)** to mounting plate **(A)** and secure with screws **(C)**.
 14. Install diffuser **(E)** to the bottom of shade **(F)**.
 15. Install light bulbs into the sockets.

CARE INSTRUCTIONS: Clean only with a soft dry cloth or feather duster. Do not use abrasive or chemical agents.