

ASSEMBLY INSTRUCTIONS

Phinn 18" Lantern

Item # BBL5190

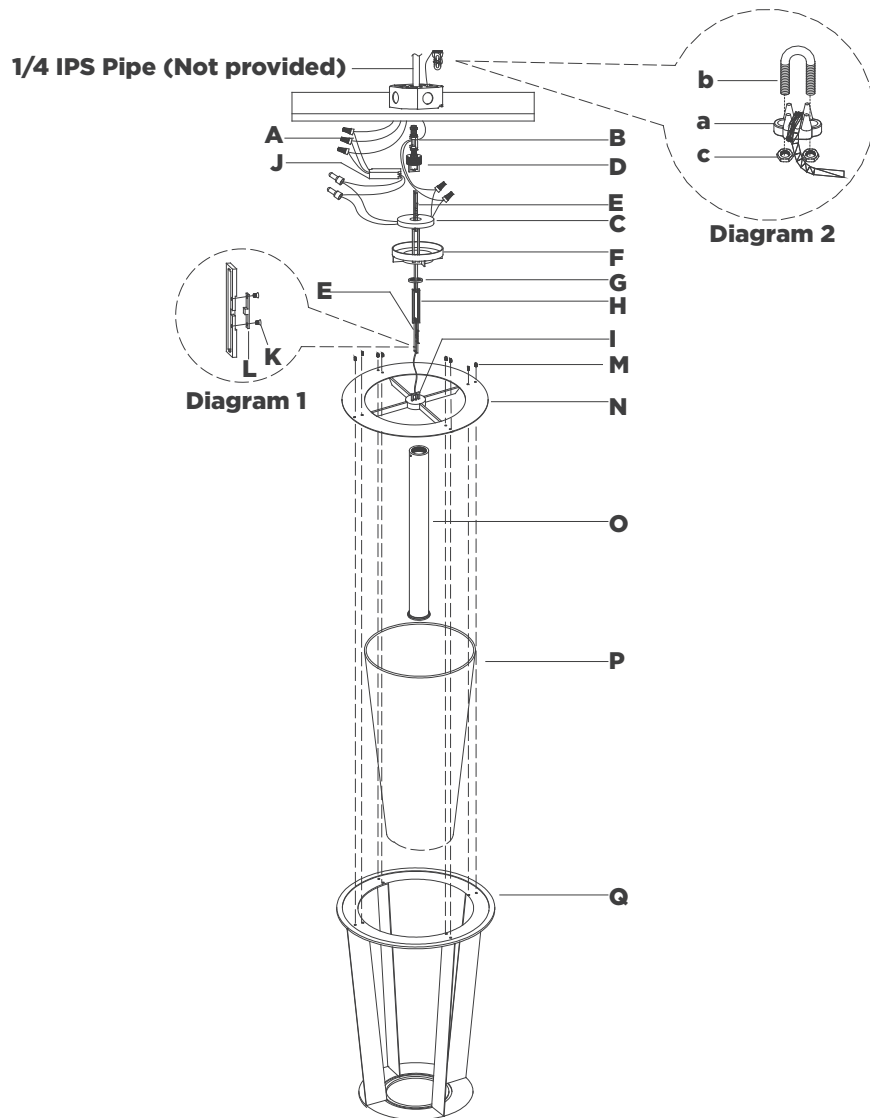
NOTICE:

This light fixture should be installed in accordance with all applicable, local installation codes, and by a person familiar with the construction and operation of it, as well as the hazards involved. Inspect item and contents carefully. If any damage or defect is found, do not install. Retain all packaging material until installation is complete and approved.

TOOLS REQUIRED (NOT INCLUDED):

Phillips Screwdriver	Slotted Screwdriver	Wire Strippers
Slip Joint Pliers	Measuring Tape	Chain Pliers
Wire Cutters		

- Carefully remove all parts from the box. Place on a clean, soft surface.
- It is recommended to install a 1/4 IPS threaded pipe, secured to a structural member of the building. Then install threaded nipple (**B**) into receiver and tighten with wrench.
NOTE: Item must be supported independent of the junction box due to hanging weight.
- Remove lock collar (**D**) from chain (**H**) and secure to threaded receiver attached to structural member by tightening locknut.
- Install driver (**C**) and canopy (**F**) to collar loop (**D**) and secure with collar ring (**G**).
- Remove fixture frame (**N**) from metal shade (**Q**) by removing screws (**M**), then place glass shade (**P**) to metal shade (**Q**).
- Thread light source (**O**) to fixture frame (**N**), then install fixture frame (**N**) to metal shade (**Q**) and secure with screws (**M**).
- Determine desired overall length, and amount of chain (**H**) needed. Shorten chain using chain pliers. (Keep extra chain)



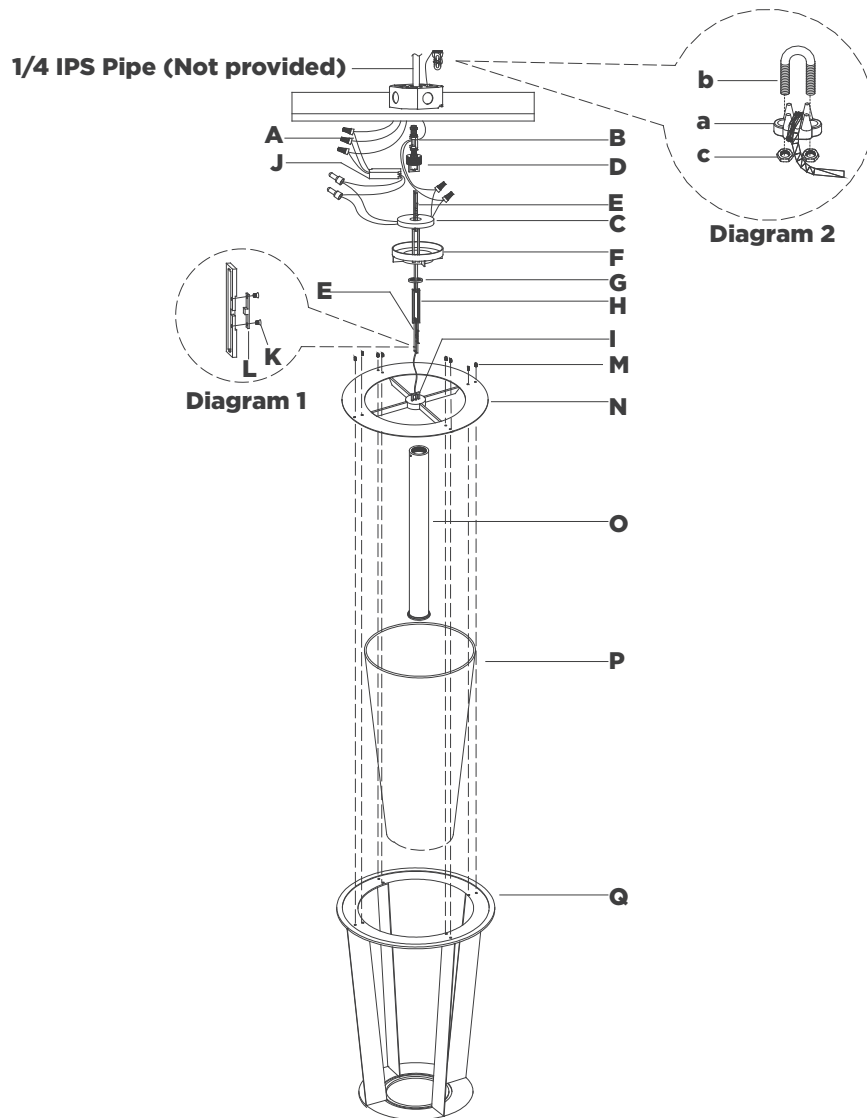
ASSEMBLY INSTRUCTIONS

Phinn 18" Lantern

Item # BBL5190

NOTICE:

This light fixture should be installed in accordance with all applicable, local installation codes, and by a person familiar with the construction and operation of it, as well as the hazards involved. Inspect item and contents carefully. If any damage or defect is found, do not install. Retain all packaging material until installation is complete and approved.



16. Connect fixture ground wire (bare copper) to the supply ground wire (usually green or bare copper) using wire nut **(A)**.

NOTE: It is imperative that the fixture is grounded.

17. Connect filter **(J)** input neutral wire (white) to the supply neutral wire (usually white) using wire nut **(A)**.
18. Connect filter **(J)** input hot wire (black) to the supply hot wire (usually black) using wire nut **(A)**.

CAUTION: Do not reverse the hot and neutral connections.

19. Make sure all wire connections are tight, then carefully tuck wire connections and filter **(J)** into the junction box.
20. Install driver **(C)** and canopy **(F)** to collar loop **(D)** and secure with collar ring **(G)**.

CARE INSTRUCTIONS: Clean only with a soft dry cloth or feather duster. Do not use abrasive or chemical agents.