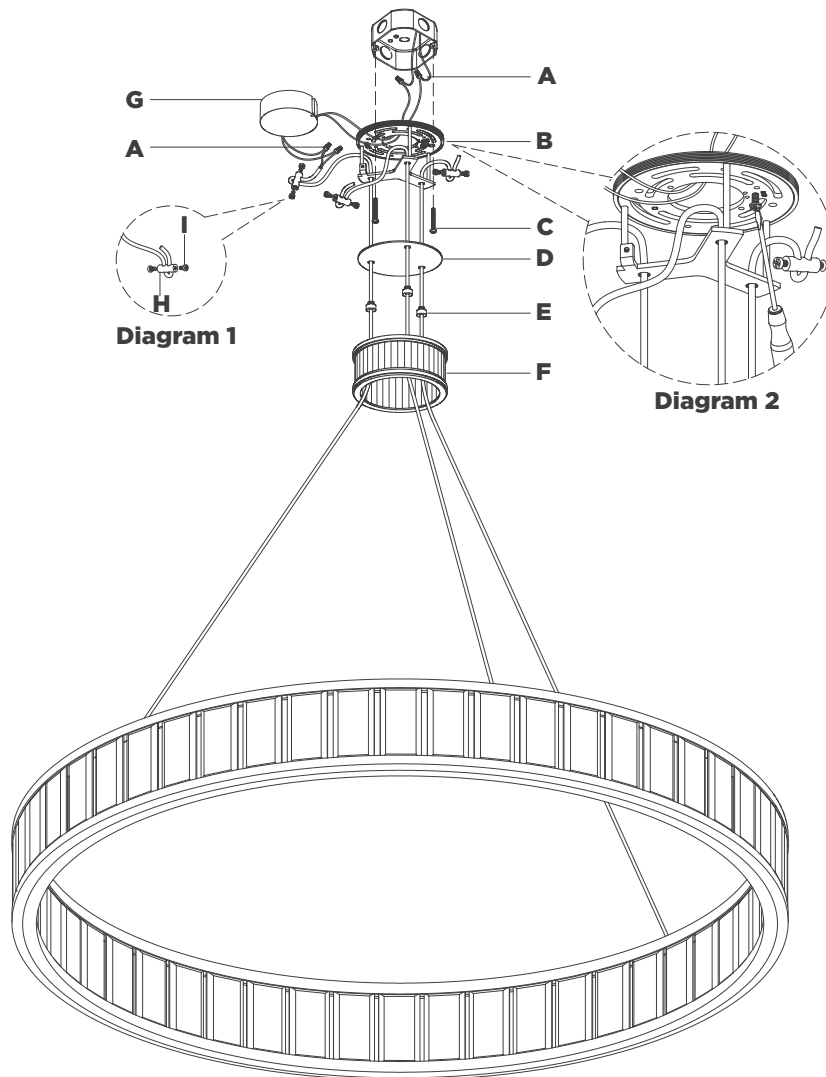


ASSEMBLY INSTRUCTIONS



Iterna 30" Ring Chandelier

Item # CHC5800

NOTICE:

This light fixture should be installed in accordance with all applicable, local installation codes, and by a person familiar with the construction and operation of it, as well as the hazards involved. Inspect item and contents carefully. If any damage or defect is found, do not install. Retain all packaging material until installation is complete and approved.

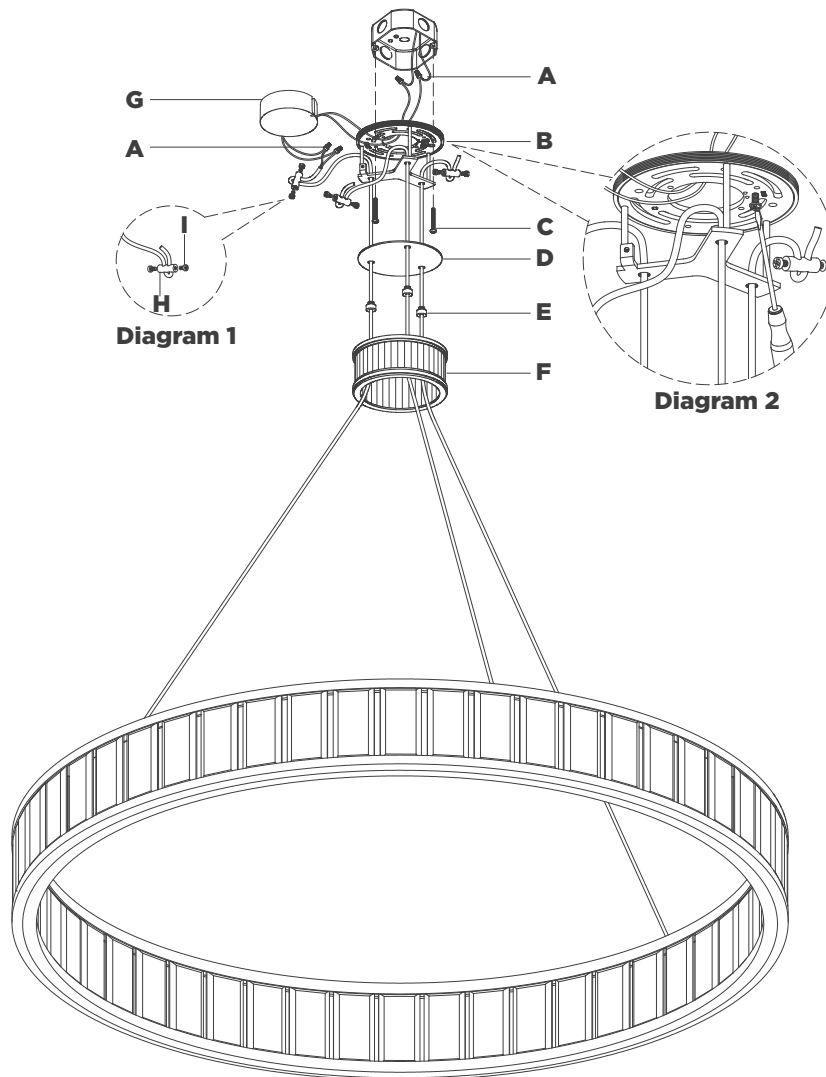
TOOLS REQUIRED (NOT INCLUDED):

Phillips Screwdriver	Slotted Screwdriver	Wire Strippers
Wire Cutters	Measuring Tape	

PERSONS REQUIRED: Two

1. Carefully remove all parts from the box. Place on a clean, soft surface.
2. Remove canopy (**F**) from mounting plate (**B**) by unscrewing.
3. Remove metal plate (**D**) from mounting plate (**B**) by removing threaded caps (**E**).
4. Install mounting plate (**B**) to the junction box and secure with mounting screws (**C**).
5. Gently set fixture on a flat, non-abrasive surface to assemble and adjust fixture hanging wires.
NOTE: It is recommended to have a helper assist in supporting the fixture for steps 6-7.
6. Feed hanging cables through canopy (**F**), threaded caps (**E**) and metal plate (**D**).
7. Route three hanging cables through holes on mounting plate (**B**) bracket. Loosen set screw (**I**) on cable lock (**H**) and install to end of hanging cables. Insert other end of cables through the cable lock and adjust to desired length. Once complete re-secure set screw (**I**). Repeat steps with the remaining wires (see diagram 1).

ASSEMBLY INSTRUCTIONS



Iterna 30" Ring Chandelier

Item # CHC5800

NOTICE:

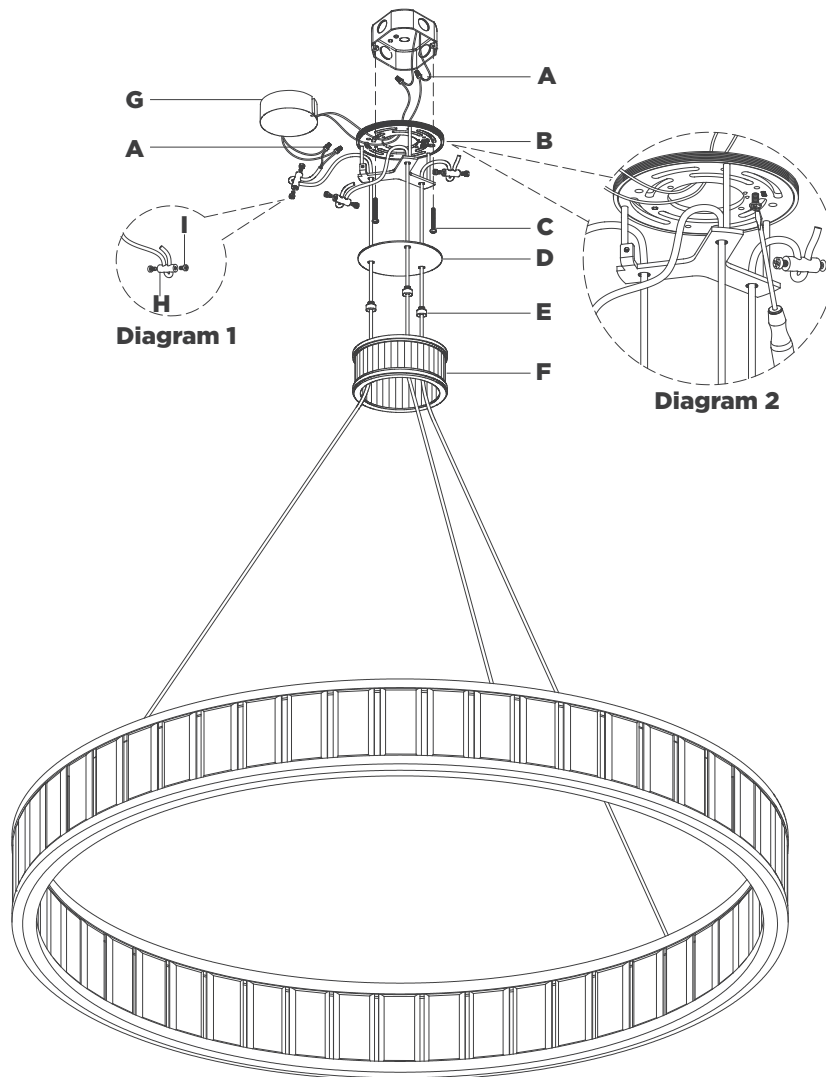
This light fixture should be installed in accordance with all applicable, local installation codes, and by a person familiar with the construction and operation of it, as well as the hazards involved. Inspect item and contents carefully. If any damage or defect is found, do not install. Retain all packaging material until installation is complete and approved.

8. After fixture height is achieved shorten wires by using a pair of cutters, leaving enough wire to connect to driver (G).
9. Remove outer housing of wire by making a neat cut all the way around, about 6 mm from the end. Once cut is made, remove and discard the piece of housing, exposing the electrical wires.

NOTE: Make sure not to cut too deep into housing or electrical wires could become damaged.

10. Separate wires (marked "+" & "-") and strip insulation on each 5/8".
 11. Connect driver (G) output neutral wire (black) to the fixture neutral wire (marked "-") using wire nut (A).
 12. Connect driver (G) output hot wire (red) to the fixture hot wire (marked "+") using wire nut (A).
- CAUTION:** Do not reverse the hot and neutral connections.
13. Connect supply ground wire (usually green or bare copper) around the green grounding screw (see diagram 2). Tighten.
- NOTE:** It is imperative that the fixture is grounded.
14. Connect driver (G) input neutral wire (white) to the supply neutral wire (usually white) using wire nut (A).
 15. Connect driver (G) input hot wire (black) to the supply hot wire (usually black) using wire nut (A).
- CAUTION:** Do not reverse the hot and neutral connections.

ASSEMBLY INSTRUCTIONS



Iterna 30" Ring Chandelier

Item # CHC5800

NOTICE:

This light fixture should be installed in accordance with all applicable, local installation codes, and by a person familiar with the construction and operation of it, as well as the hazards involved. Inspect item and contents carefully. If any damage or defect is found, do not install. Retain all packaging material until installation is complete and approved.

16. Make sure all wire connections are tight, then carefully tuck into the junction box.
17. Insert driver **(G)** into the middle of mounting plate **(B)** bracket.
18. Install metal plate **(D)** to mounting plate **(B)** and secure with threaded caps **(E)**.
19. Thread canopy **(F)** to mounting plate **(B)**.

CARE INSTRUCTIONS: Clean only with a soft dry cloth or feather duster. Do not use abrasive or chemical agents.