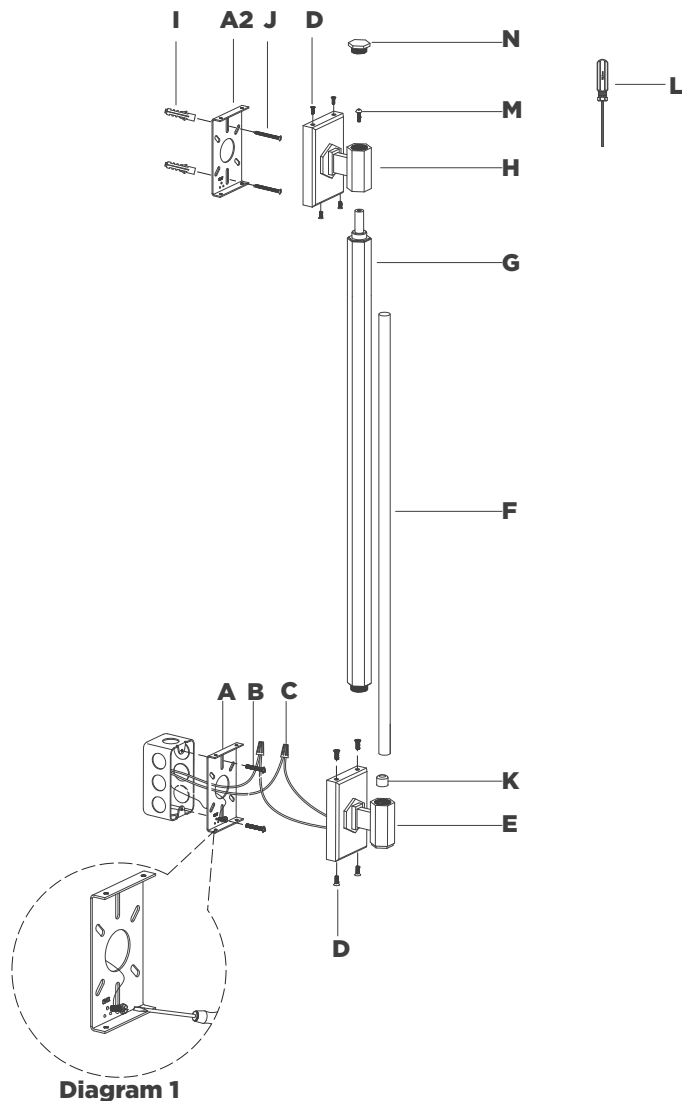


ASSEMBLY INSTRUCTIONS



Hawthorne 30" Linear Bath Light

Item # CHD2042

NOTICE:

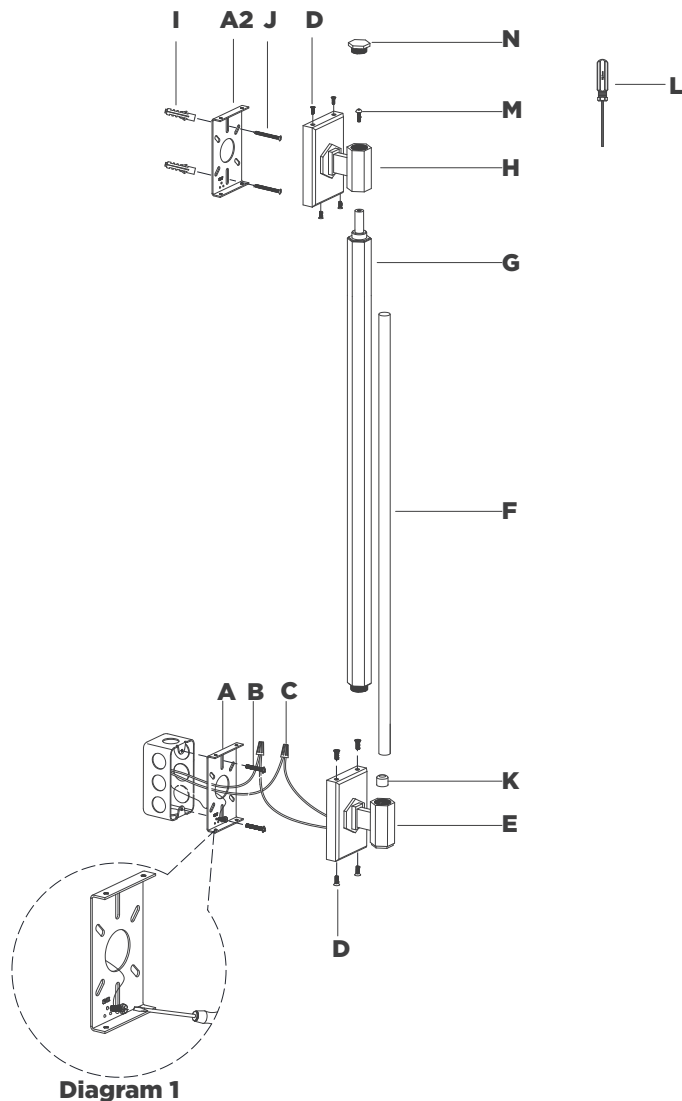
This light fixture should be installed in accordance with all applicable, local installation codes, and by a person familiar with the construction and operation of it, as well as the hazards involved. Inspect item and contents carefully. If any damage or defect is found, do not install. Retain all packaging material until installation is complete and approved.

TOOLS REQUIRED (NOT INCLUDED):

Phillips Screwdriver	Slotted Screwdriver	Hammer
Pencil	Drill	

1. Carefully remove all parts from the box. Place on a clean, soft surface.
2. Remove mounting plates **(A1 & A2)** from backplates **(E & H)** by removing screws **(D)**.
NOTE: Carefully measure distance between mounting points for mounting plates **(A1 & A2)** before moving to the next step.
3. Using portable mounting plate **(A2)** as a guide, mark anchor positions.
4. Using a drill bit slightly smaller than the anchor, drill holes in the marked positions. Install anchors **(I)** into the holes using hammer.
5. Install mounting plate **(A1)** to the junction box and secure with mounting screws **(B)**.
6. Install mounting plate **(A2)** to wall by securing wood screws **(J)** to anchors **(I)**.
7. Remove protective caps **(K)** from fixture **(E)**, then install light source **(F)** to fixture **(E)**.
NOTE: LED must be installed before testing or restoring power.
8. Thread shade **(G)** to fixture **(E)**.
NOTE: Do not overtighten otherwise glass shade could be damaged.
9. Install backplate **(H)** to shade **(G)** and secure with set screws **(M)** using provided screwdriver **(L)**.

ASSEMBLY INSTRUCTIONS



Hawthorne 30" Linear Bath Light

Item # CHD2042

NOTICE:

This light fixture should be installed in accordance with all applicable, local installation codes, and by a person familiar with the construction and operation of it, as well as the hazards involved. Inspect item and contents carefully. If any damage or defect is found, do not install. Retain all packaging material until installation is complete and approved.

10. Thread end cap **(N)** to backplate **(H)**.
11. Wrap fixture ground wire (bare copper) around the green grounding screw (see diagram 1). Tighten. Continue fixture ground wire and connect to supply ground wire (usually green or bare copper) using wire nut **(A)**.
NOTE: It is imperative that the fixture is grounded.
12. Connect fixture neutral wire (white) to the supply neutral wire (usually white) using wire nut **(A)**.
13. Connect fixture hot wire (black) to the supply hot wire (usually black) using wire nut **(A)**.
CAUTION: Do not reverse the hot and neutral connections.
14. Make sure all wire connections are tight, then carefully tuck into the junction box.
15. Install backplate **(E & H)** to mounting plate **(A1 & A2)** and secure with screws **(D)**.

CARE INSTRUCTIONS: Clean only with a soft dry cloth or feather duster. Do not use abrasive or chemical agents.