

ASSEMBLY INSTRUCTIONS

Cabinet Maker 18" Cordless Picture Light

Item # CHD2702

NOTICE:

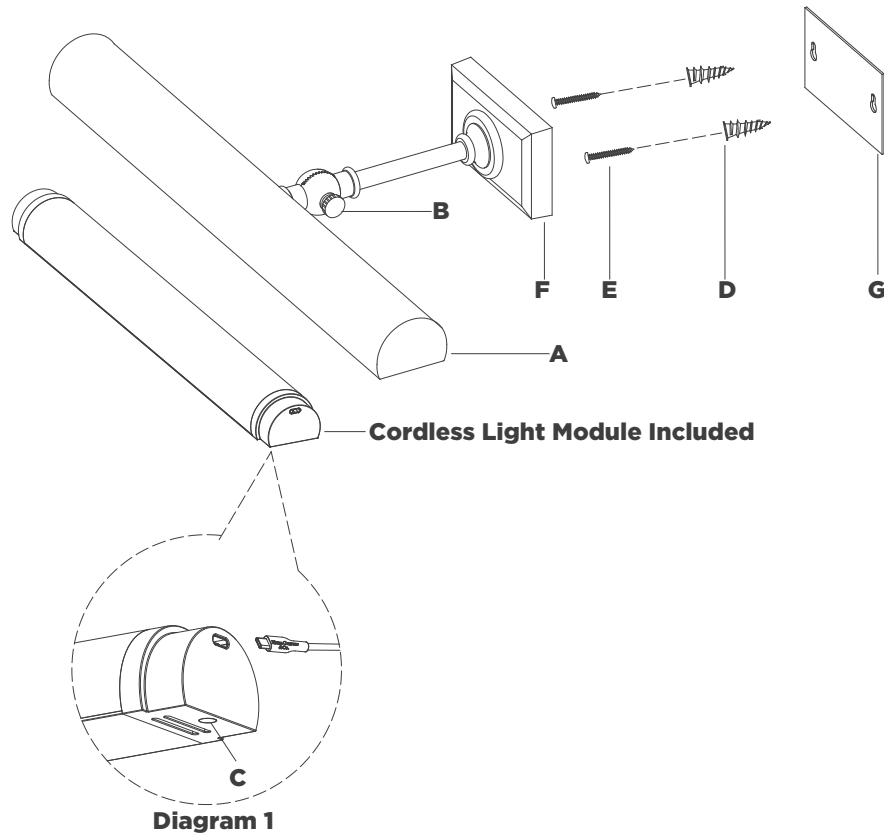
Inspect item carefully before attempting to install. If there is any damage or obvious defect, do not install. Item may not be returned once it has been installed.

TOOLS REQUIRED (NOT INCLUDED):

Pencil

Hammer

Drill



1. Carefully remove all parts from the box. Place on a clean, soft surface.
2. Using card template **(G)** as a guide, mark anchor positions.
3. Using a drill bit slightly smaller than the anchor, drill holes in the marked positions. Install anchors **(D)** into the holes using a hammer.
4. Secure wood screws **(E)** to anchors **(D)**, leaving 1/8" of exposed thread in order to hang fixture.
5. Hook fixture **(F)** to wood screws **(E)**.
6. Loosen adjustment knob **(B)** to adjust shade **(A)** to desired angle, then adjustment knob **(B)**.
7. Place cordless light module into cordless module holder **(B)**.
8. For best results fully charge battery before use.
9. Test the lamp.

Dimmer switch operation: Touch dimmer **(C)** to adjust between high, medium, low and off settings (see diagram 1).

Charging Instructions: Remove cordless light module from lamp and charge using provided USB-C cord (see diagram 1).

NOTE: For convenience, USB-C to USB-A adapter is included.



CARE INSTRUCTIONS: Clean only with a soft dry cloth or feather duster. Do not use abrasive or chemical agents.