

ASSEMBLY INSTRUCTIONS

Fosse 11" Invertable Offset Oval Sconce Item # KW2003

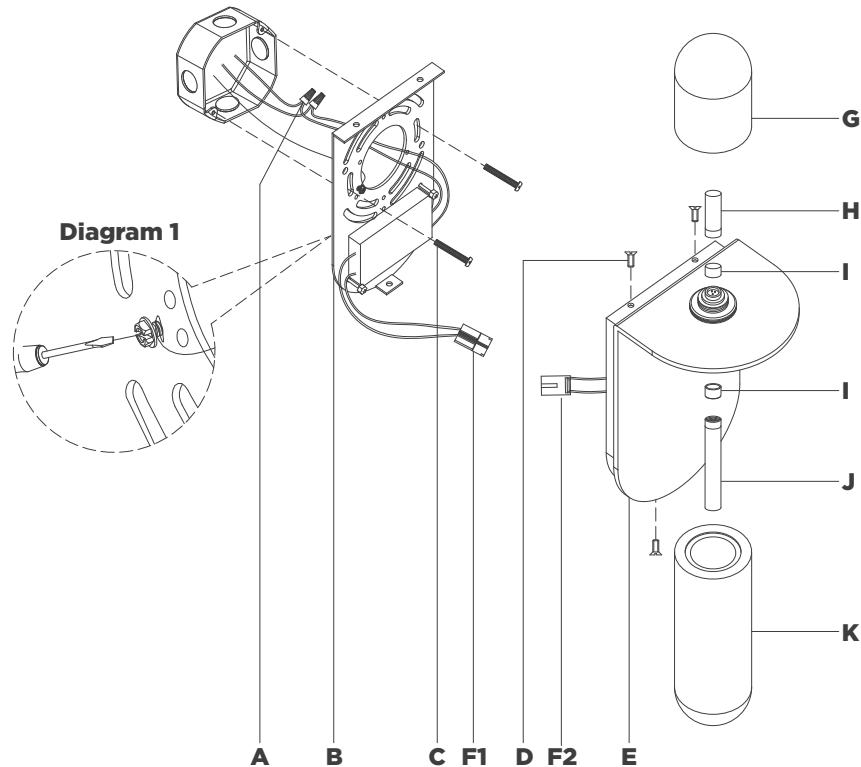
NOTICE:

This light fixture should be installed in accordance with all applicable, local installation codes, and by a person familiar with the construction and operation of it, as well as the hazards involved. Inspect item and contents carefully. If any damage or defect is found, do not install. Retain all packaging material until installation is complete and approved.

TOOLS REQUIRED (NOT INCLUDED):

Phillips Screwdriver

Slotted Screwdriver



1. Carefully remove all parts from the box. Place on a clean, soft surface.
2. Remove mounting plate **(B)** from fixture **(E)** by removing screws **(D)**.
3. Connect fixture input neutral wire (white) to the supply neutral wire (usually white) using wire nut **(A)**.
4. Connect fixture input hot wire (black) to the supply hot wire (usually black) using wire nut **(A)**.
5. Install mounting plate **(B)** to the junction box and secure with mounting screws **(C)**.
6. Connect supply ground wire (usually green or bare copper) around the green grounding screw (see diagram 1). Tighten.

CAUTION: Do not reverse the hot and neutral connections.

7. Connect quick connector **(F1 & F2)** together.
8. Install fixture **(E)** to mounting plate **(B)** and secure with screws **(D)**.
9. Remove protective caps **(I)** from light source bases, then thread light sources **(H & J)** to light source bases (see diagram 2).

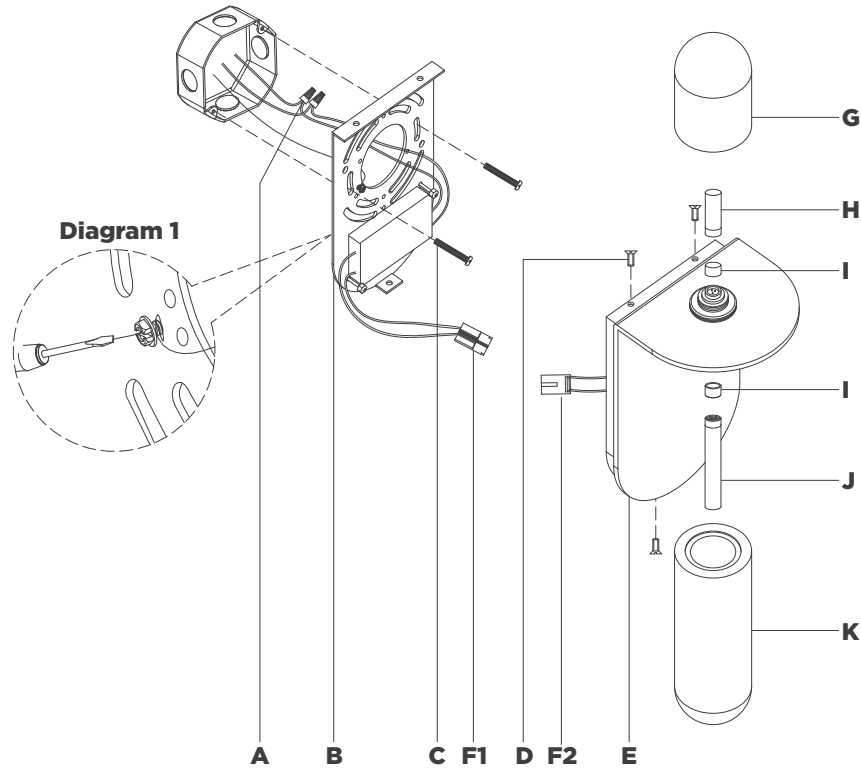
NOTE: Discard protective caps **(i)** after assembly.

ASSEMBLY INSTRUCTIONS

Fosse 11" Invertable Offset Oval Sconce Item # KW2003

NOTICE:

This light fixture should be installed in accordance with all applicable, local installation codes, and by a person familiar with the construction and operation of it, as well as the hazards involved. Inspect item and contents carefully. If any damage or defect is found, do not install. Retain all packaging material until installation is complete and approved.



10. Thread shade **(G & K)** to light source base (see diagram 2).

NOTE: Do not overtighten otherwise shade could become damaged.

CARE INSTRUCTIONS: Clean only with a soft dry cloth or feather duster. Do not use abrasive or chemical agents.