

## ASSEMBLY INSTRUCTIONS

Piel 9" Indoor/Outdoor Wall Wash

Item # KW2634

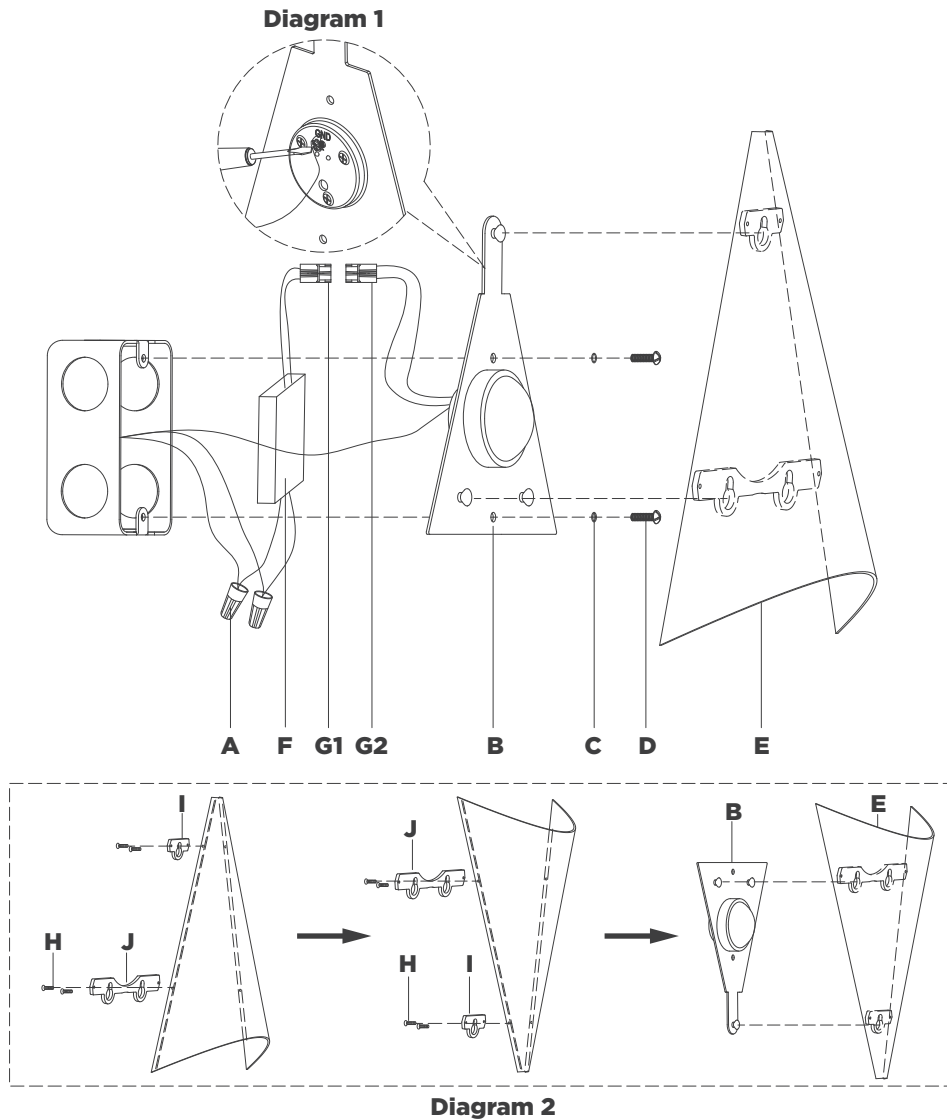
### NOTICE:

This light fixture should be installed in accordance with all applicable, local installation codes, and by a person familiar with the construction and operation of it, as well as the hazards involved. Inspect item and contents carefully. If any damage or defect is found, do not install. Retain all packaging material until installation is complete and approved.

### TOOLS REQUIRED (NOT INCLUDED):

Phillips Screwdriver

Slotted Screwdriver



- Carefully remove all parts from the box. Place on a clean, soft surface.
- Remove fixture **(B)** from shade **(E)**.
- Connect driver **(F)** input neutral wire (white) to the supply neutral wire (usually white) using wire nut **(A)**.
- Connect driver **(F)** input hot wire (black) to the supply hot wire (usually black) using wire nut **(A)**.

**CAUTION:** Do not reverse the hot and neutral connections.

- Insert driver **(F)** into junction box.
- Wrap supply ground wire (usually green or bare copper) around the green grounding screw (see diagram 1). Tighten.

**NOTE:** It is imperative that the fixture is grounded.

- Connect quick connector **(G1 & G2)** together.
- NOTE:** Fixture can be installed inverted (see diagram 2).
- Install fixture **(B)** to junxtn box and secure with rubber washers **(C)** and screws **(D)**.
- Hang shade **(E)** to fixture **(B)**.

### FIXTURE INSTALLED INVERTED

- Remove shade bracket **(I & J)** from shade **(E)** by removing screws **(H)** (see diagram 2).
- Reverse the orientation of the shade **(E)**, then install the bracket **(I & J)** to shade **(E)** and secure with screws **(H)**.

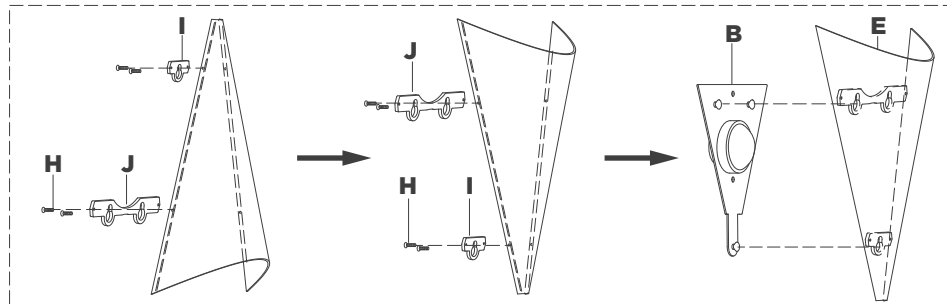
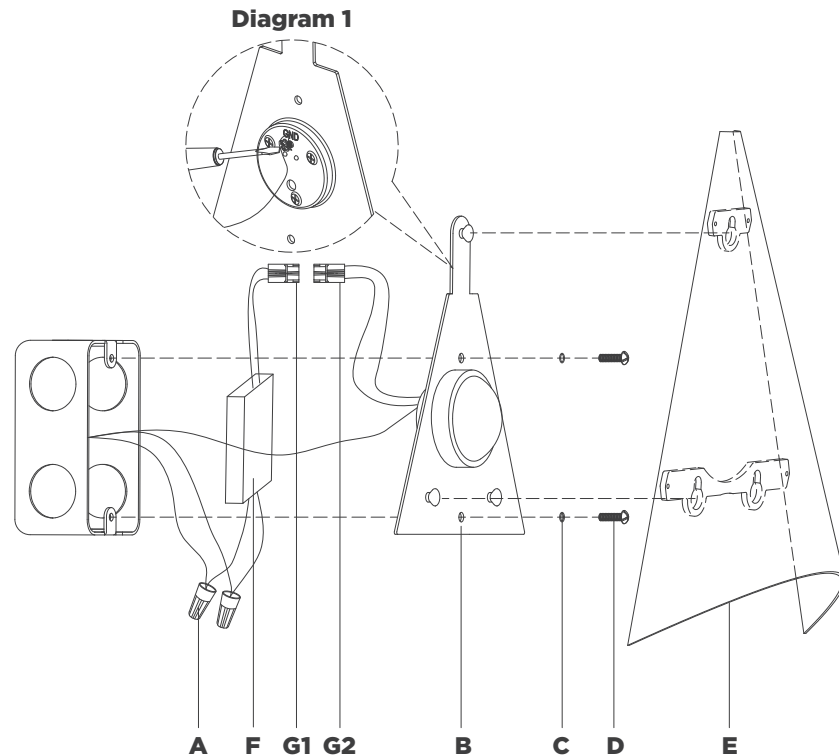
**NOTE:** Keyhole on bracket should face the pointed end of shade.

## ASSEMBLY INSTRUCTIONS

Piel 9" Indoor/Outdoor Wall Wash  
Item # KW2634

### NOTICE:

This light fixture should be installed in accordance with all applicable, local installation codes, and by a person familiar with the construction and operation of it, as well as the hazards involved. Inspect item and contents carefully. If any damage or defect is found, do not install. Retain all packaging material until installation is complete and approved.



10. Hang shade **(E)** to fixture **(B)**.

### FOR OUTDOOR/WET LOCATION INSTALLATION:

11. Using silicone compound, apply a small bead where backplate meets the wall to prevent water from entering.

**NOTE:** Large gaps will need to be corrected before applying silicone compound.

**CARE INSTRUCTIONS:** Clean only with a soft dry cloth or feather duster. Do not use abrasive or chemical agents.