

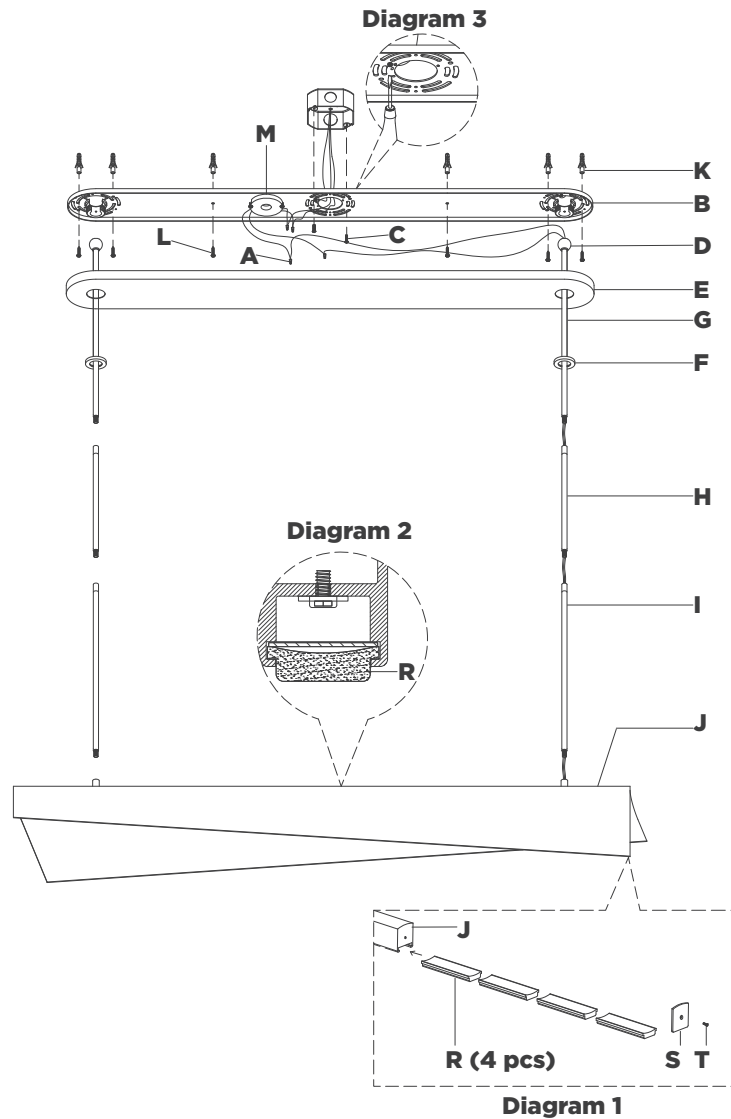
ASSEMBLY INSTRUCTIONS

Piel 48" Linear Pendant

Item # KW5633

NOTICE:

This light fixture should be installed in accordance with all applicable, local installation codes, and by a person familiar with the construction and operation of it, as well as the hazards involved. Inspect item and contents carefully. If any damage or defect is found, do not install. Retain all packaging material until installation is complete and approved.

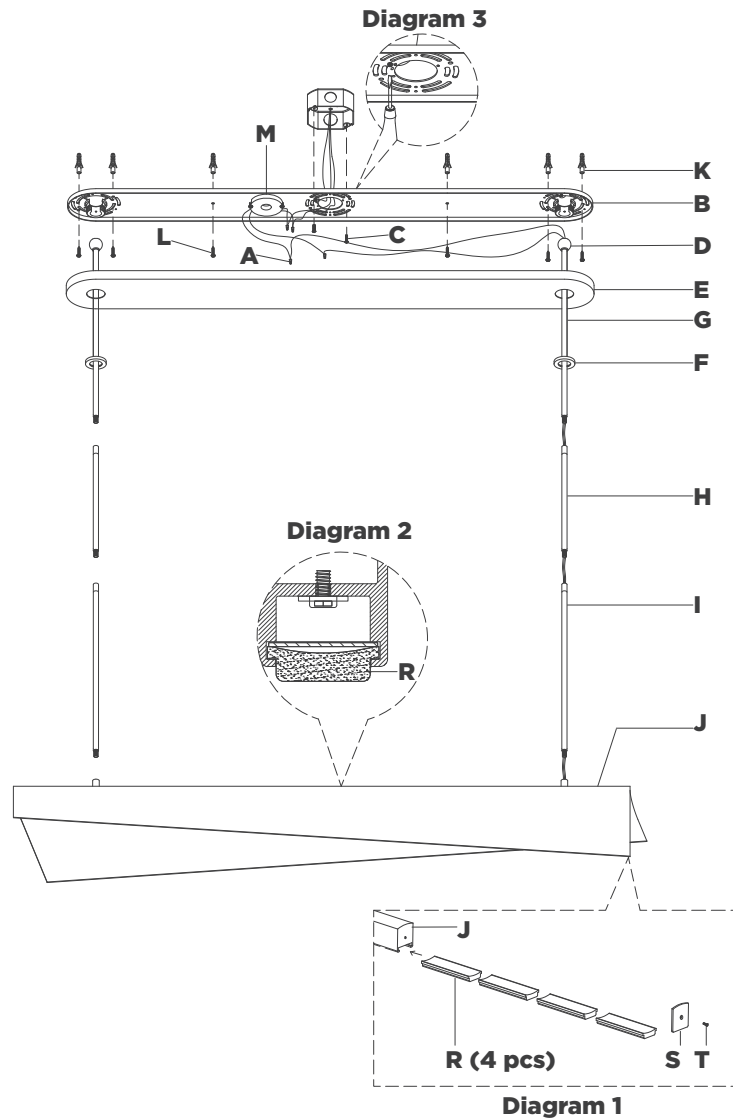


TOOLS REQUIRED (NOT INCLUDED):

Phillips Screwdriver	Slotted Screwdriver	Wire Strippers
Wire Cutters	Hammer	Pencil
Hammer	Drill	

- Carefully remove all parts from the box. Place on a clean, soft surface.
- Remove canopy **(E)** from mounting plate **(B)** by removing collar rings **(F)**.
- Using mounting plate **(B)** as a guide, line up with the junction box and mark anchor positions.
- Using a drill bit slightly smaller than the anchor, drill holes in the marked positions. Install anchors **(K)** into the holes using a hammer.
- Install mounting plate **(B)** to the junction box and secure with mounting screws **(C)**, then secure wood screws **(L)** to anchors **(K)**.
- Remove end cap **(S)** from one side of shade **(J)** by removing screw **(T)** (see diagram 1).
- Insert glasses **(R)** from end cap **(S)** by slightly lifting acrylic diffuser, carefully sliding glass inside the channel. Secure end cap **(S)** with screw **(T)** (see diagram 1 & 2).
- Feed electrical wires through bottom rod **(I)** and connect to shade **(J)**. Repeat for middle rods **(H)**, connecting to bottom rods **(I)**.

ASSEMBLY INSTRUCTIONS



Piel 48" Linear Pendant

Item # KW5633

NOTICE:

This light fixture should be installed in accordance with all applicable, local installation codes, and by a person familiar with the construction and operation of it, as well as the hazards involved. Inspect item and contents carefully. If any damage or defect is found, do not install. Retain all packaging material until installation is complete and approved.

9. Continue feeding wires through collar ring **(F)**, canopy **(E)**, and top rod **(G)**.
10. Holding fixture upright, slide collar rings **(F)** and canopy **(E)** down and rest on shade **(J)**. Then connect top rods **(G)** to middle rods **(H)**.
NOTE: Slide components down slowly to avoid damage.
11. Hang fixture swivel balls **(D)** to the center of mounting plate **(B)**.
12. Cut excess wires, being sure to leave enough to reach the junction box. Separate wires and strip insulation on each 5/8".
13. Connect fixture neutral wire (black) to driver **(M)** output wire (black) using wire nut **(A)**.
14. Connect fixture hot wire (red) to driver **(M)** output wire (red) using wire nut **(A)**.
15. Connect supply ground wire (usually green or bare copper) around the green grounding screw (see diagram 3). Tighten.
NOTE: It is imperative that the fixture is grounded.
16. Connect driver **(M)** input neutral wire (white) to the supply neutral wire (usually white) using wire nut **(A)**.
17. Connect driver **(M)** input hot wire (black) to the supply hot wire (usually black) using wire nut **(A)**.

CAUTION: Do not reverse the hot and neutral connections.

