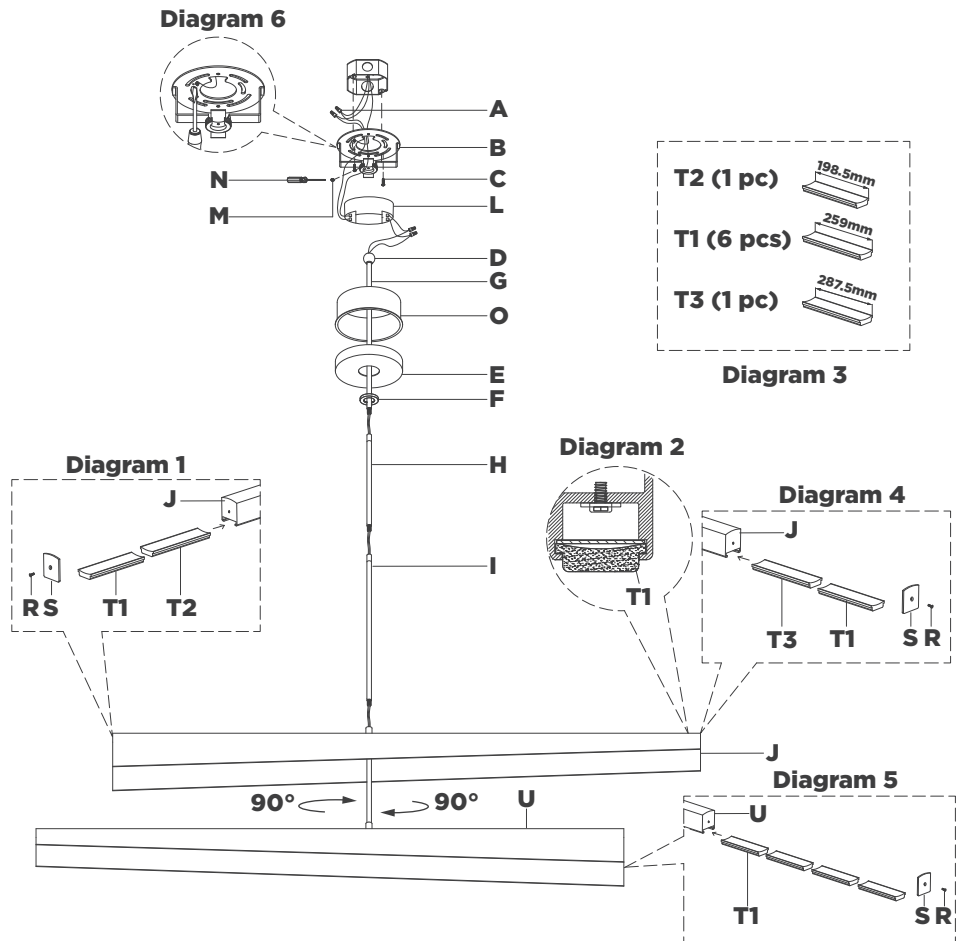


ASSEMBLY INSTRUCTIONS

Option 1: Canopy Mounted Driver



Piel 52" Multi-Positional Chandelier

Item # KW5635

NOTICE:

This light fixture should be installed in accordance with all applicable, local installation codes, and by a person familiar with the construction and operation of it, as well as the hazards involved. Inspect item and contents carefully. If any damage or defect is found, do not install. Retain all packaging material until installation is complete and approved.

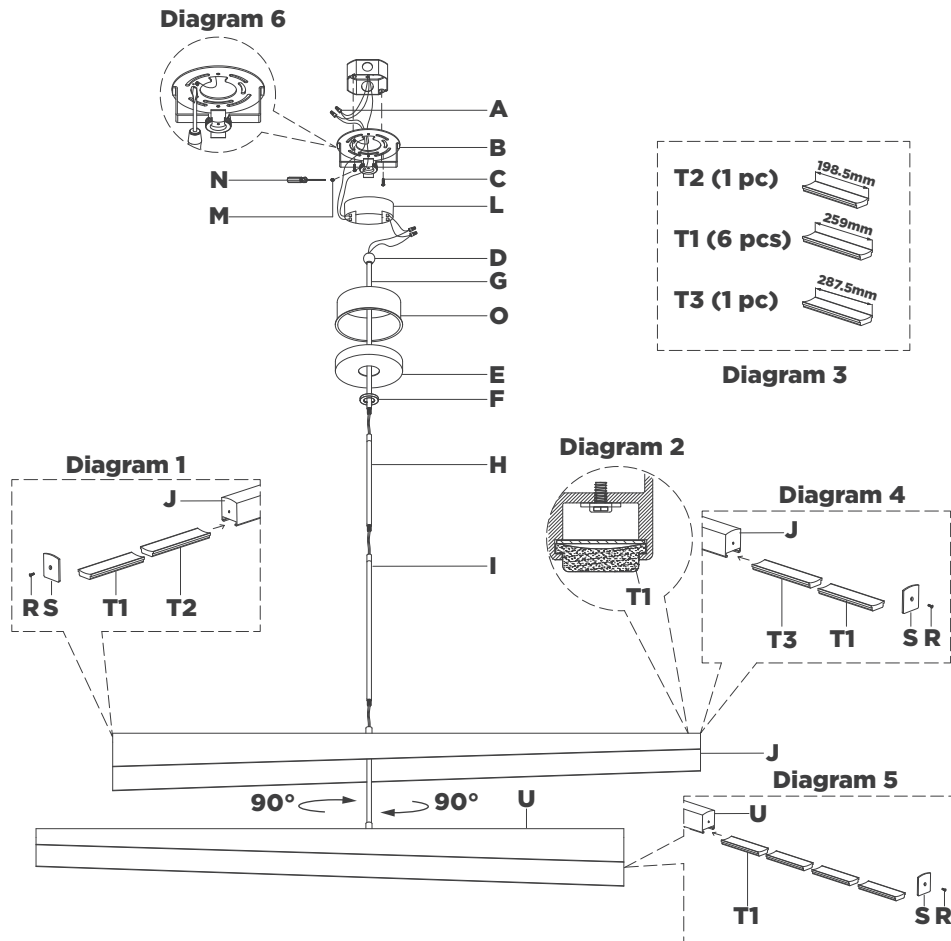
TOOLS REQUIRED (NOT INCLUDED):

Phillips Screwdriver Slotted Screwdriver Wire Strippers
Wire Cutters

- Carefully remove all parts from the box. Place on a clean, soft surface.
- Remove canopy (**E**) and driver housing (**O**) from mounting plate (**B**) by removing collar ring (**F**).
- Install mounting plate (**B**) to the junction box and secure with mounting screws (**C**).
- Remove end caps (**S**) from shades (**J** & **U**) by removing screws (**R**) (see diagram 1 & 4 & 5).
- Insert glass (**T2**) and glass (**T1**) from end cap (**S**) by slightly lifting acrylic diffuser, carefully sliding glass inside the channel. Secure end cap (**S**) with screw (**R**) (see diagram 1 & 2 & 3).
- Repeat above step, insert glasses (**T3** & **T1**) to shade (**J**) and glasses (**T1**) to shade (**U**) and secure with end caps (**S**) by securing screws (**R**) (see diagram 2 & 3 & 4 & 5).
- Feed electrical wires through bottom rod (**I**) and connect to fixture body. Repeat for middle rod (**H**), connecting to bottom rod (**I**).
- Continue feeding wires through collar ring (**F**), canopy (**E**), driver housing (**O**) and top rod (**G**).

ASSEMBLY INSTRUCTIONS

Option 1: Canopy Mounted Driver



Piel 52" Multi-Positional Chandelier

Item # KW5635

NOTICE:

This light fixture should be installed in accordance with all applicable, local installation codes, and by a person familiar with the construction and operation of it, as well as the hazards involved. Inspect item and contents carefully. If any damage or defect is found, do not install. Retain all packaging material until installation is complete and approved.

9. Holding fixture upright, slide collar ring **(F)**, canopy **(E)** and driver housing **(O)** down and rest on fixture body. Then connect top rod **(G)** to middle rod **(H)**.

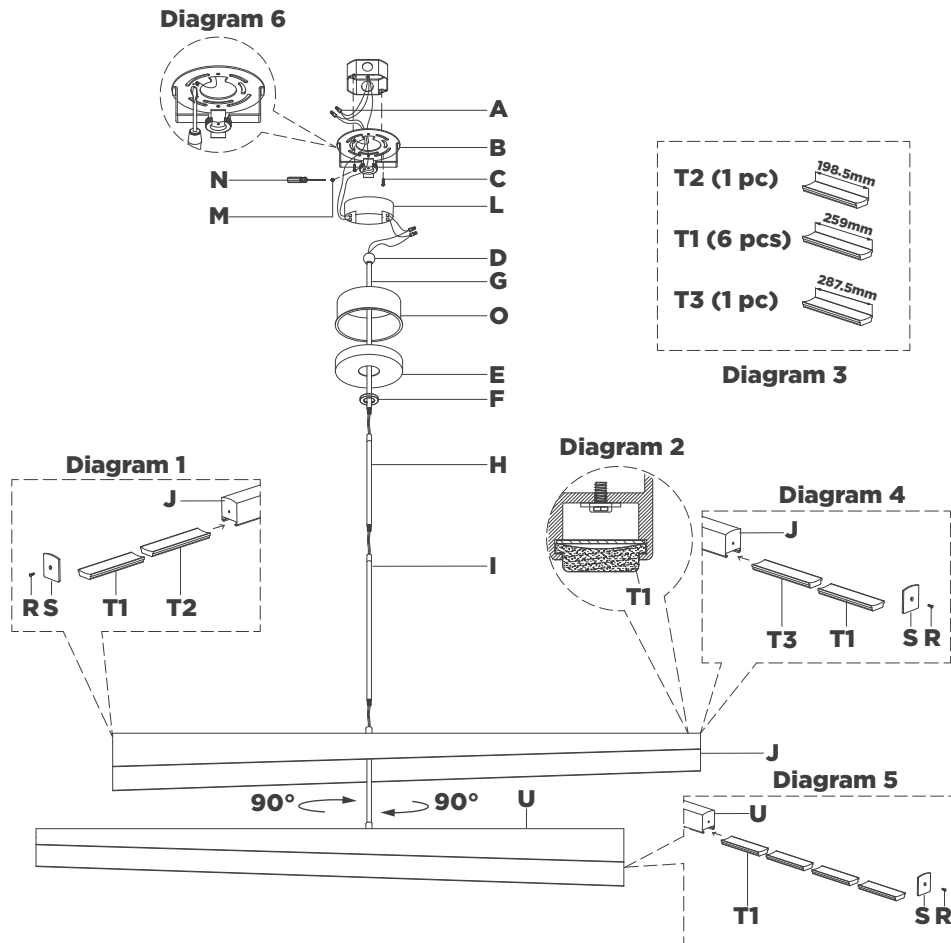
NOTE: Slide components down slowly to avoid damage.
10. Hang fixture swivel ball **(D)** to the center of mounting plate **(B)** and secure with set screw **(M)** using provided screwdriver **(N)**.
11. Cut excess wires, being sure to leave enough to reach the junction box. Separate wires and strip insulation on each 5/8".
12. Connect fixture neutral wire (black) to driver **(L)** output wire (black) using wire nut **(K)**.
13. Connect fixture hot wire (red) to driver **(L)** output wire (red) using wire nut **(K)**.
14. Connect supply ground wire (usually green or bare copper) around the green grounding screw (see diagram 6). Tighten.

NOTE: It is imperative that the fixture is grounded.
15. Connect driver **(L)** input neutral wire (white) to the supply neutral wire (usually white) using wire nut **(A)**.
16. Connect driver **(L)** input hot wire (black) to the supply hot wire (usually black) using wire nut **(A)**.

CAUTION: Do not reverse the hot and neutral connections.
17. Make sure all wire connections are tight, then carefully tuck into the junction box.

ASSEMBLY INSTRUCTIONS

Option 1: Canopy Mounted Driver



Piel 52" Multi-Positional Chandelier

Item # KW5635

NOTICE:

This light fixture should be installed in accordance with all applicable, local installation codes, and by a person familiar with the construction and operation of it, as well as the hazards involved. Inspect item and contents carefully. If any damage or defect is found, do not install. Retain all packaging material until installation is complete and approved.

18. Insert driver **(L)** into the middle of mounting plate **(B)** and mounting bracket **(P)**.
19. Install driver housing **(O)** and canopy **(E)** to mounting plate **(B)** and secure with collar ring **(F)**.
20. Adjust shade **(U)** to desired angle.

CARE INSTRUCTIONS: Clean only with a soft dry cloth or feather duster. Do not use abrasive or chemical agents.

ASSEMBLY INSTRUCTIONS

Option 2: Ceiling Mounted Driver

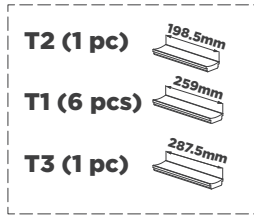
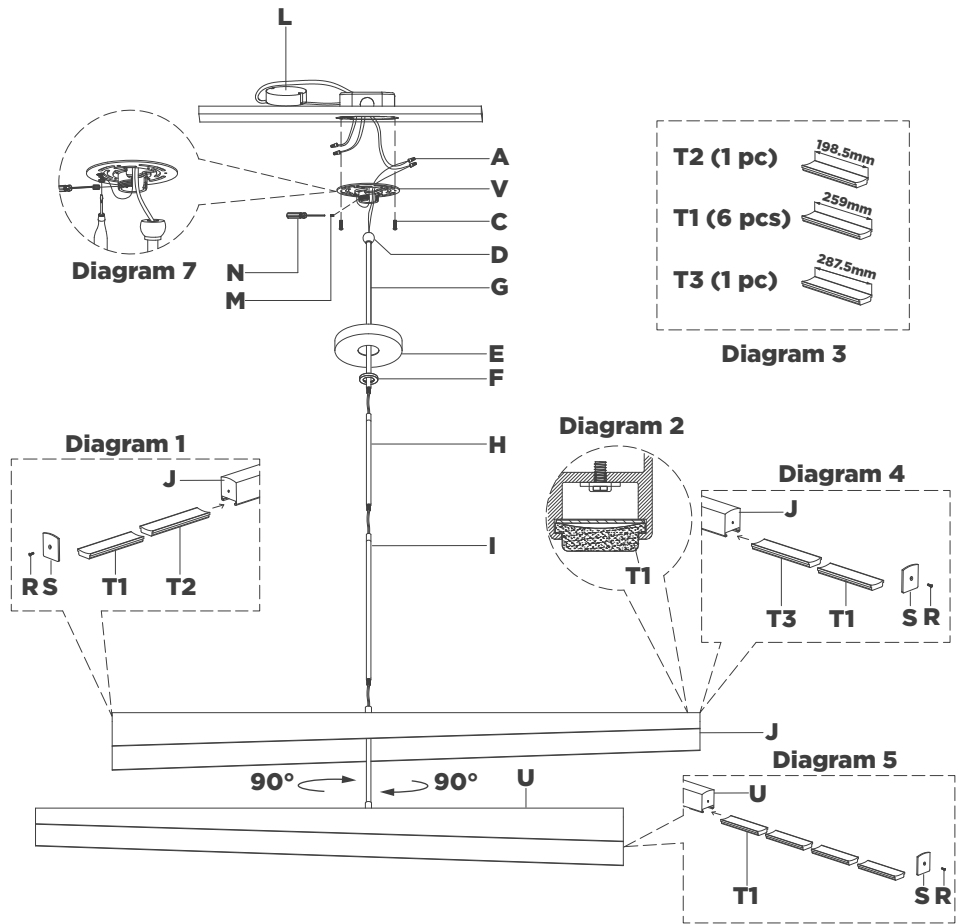


Diagram 3

Piel 52" Multi-Positional Chandelier

Item # KW5635

NOTICE:

This light fixture should be installed in accordance with all applicable, local installation codes, and by a person familiar with the construction and operation of it, as well as the hazards involved. Inspect item and contents carefully. If any damage or defect is found, do not install. Retain all packaging material until installation is complete and approved.

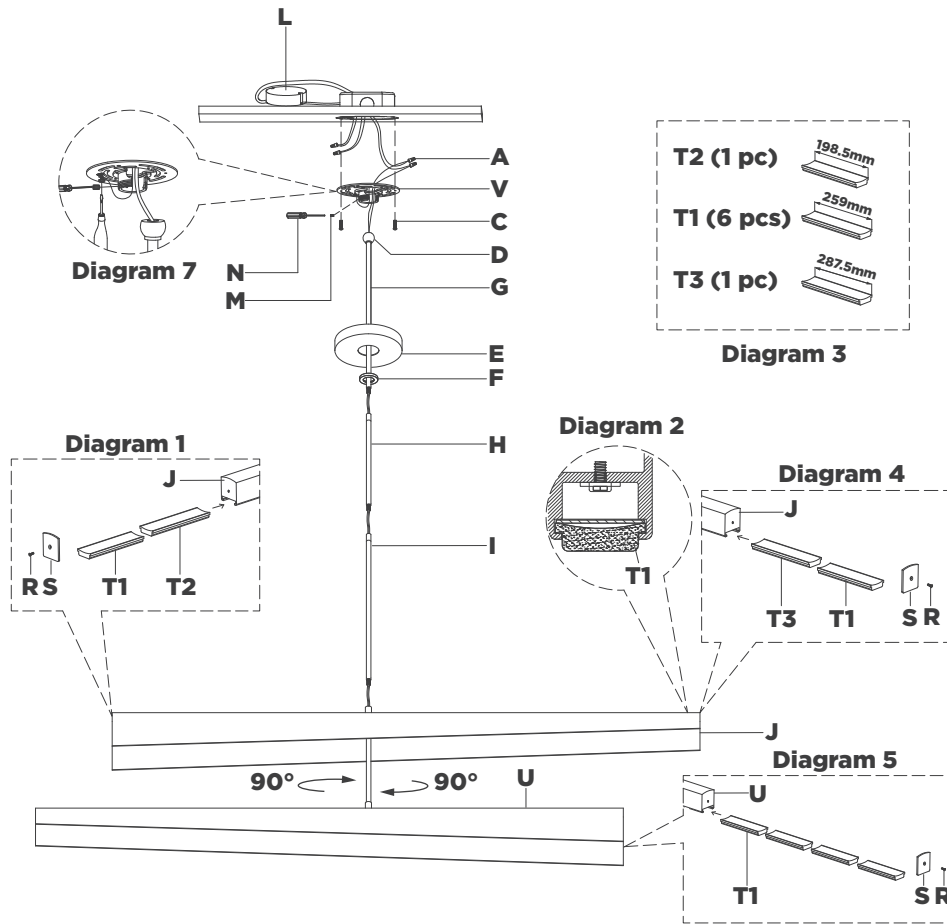
TOOLS REQUIRED (NOT INCLUDED):

Phillips Screwdriver Slotted Screwdriver Wire Strippers
Wire Cutters

- Carefully remove all parts from the box. Place on a clean, soft surface.
- Place driver (**L**) into ceiling and route all wires through one of the knockouts in the junction box.
- Remove canopy (**E**) and driver housing (**O**) from mounting plate (**B**) by removing collar ring (**F**).
NOTE: Driver housing (**O**) will not be used for ceiling mounted assembly. Keep part and store for future use.
- Install mounting plate (**V**) to the junction box and secure with mounting screws (**C**).
- Connect supply ground wire (usually green or bare copper) around the green grounding screw (see diagram 7). Tighten.
NOTE: It is imperative that the fixture is grounded.
- Remove end caps (**S**) from shades (**J & U**) by removing screws (**R**) (see diagram 1 & 4 & 5).
- Insert glass (**T2**) and glass (**T1**) from end cap (**S**) by slightly lifting acrylic diffuser, carefully sliding glass inside the channel. Secure end cap (**S**) with screw (**R**).
- Repeat above step, insert glasses (**T3 & T1**) to shade (**J**) and glasses (**T1**) to shade (**U**) and secure with end caps (**S**) by securing screws (**R**) (see diagram 2 & 3 & 4 & 5).

ASSEMBLY INSTRUCTIONS

Option 2: Ceiling Mounted Driver



Piel 52" Multi-Positional Chandelier

Item # KW5635

NOTICE:

This light fixture should be installed in accordance with all applicable, local installation codes, and by a person familiar with the construction and operation of it, as well as the hazards involved. Inspect item and contents carefully. If any damage or defect is found, do not install. Retain all packaging material until installation is complete and approved.

9. Feed electrical wires through bottom rod (**I**) and connect to fixture body. Repeat for middle rod (**H**), connecting to bottom rod (**I**).
10. Continue feeding wires through collar ring (**F**), canopy (**E**), and top rod (**G**).
11. Holding fixture upright, slide collar ring (**F**) and canopy (**E**) down and rest on fixture body. Then connect top rod (**G**) to middle rod (**H**).

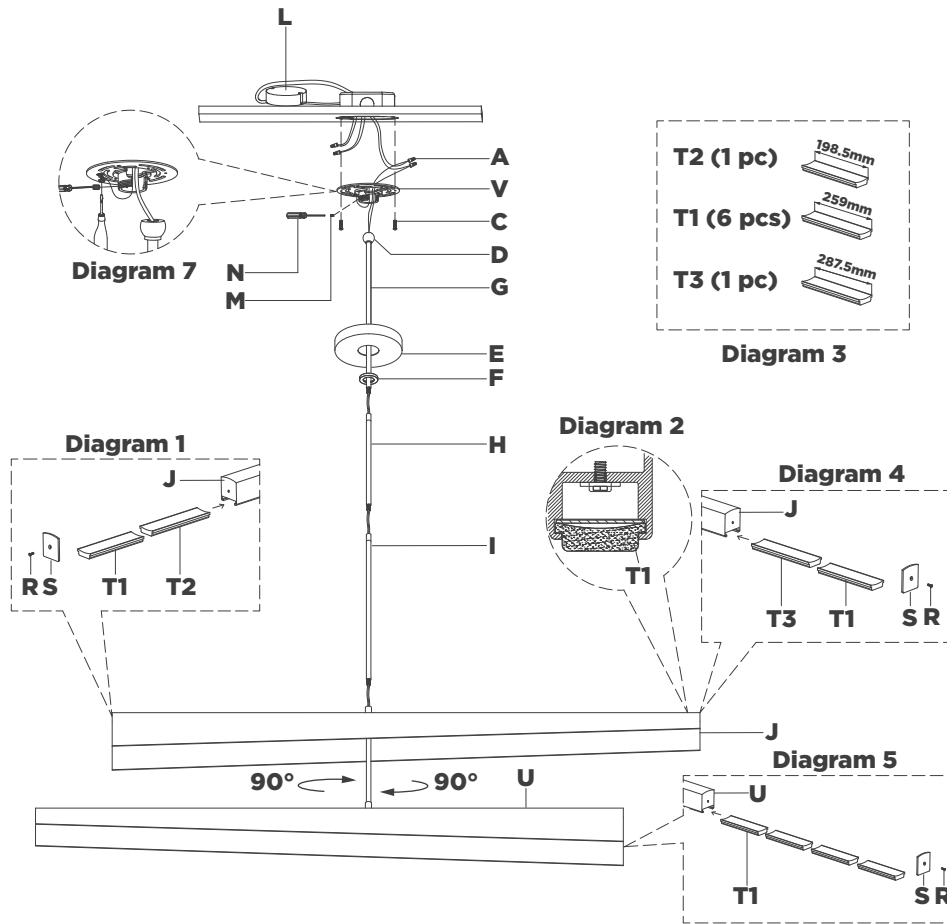
NOTE: Slide components down slowly to avoid damage.

12. Hang fixture swivel ball (**D**) to the center of mounting plate (**V**) and secure with set screw (**M**) using provided screwdriver (**N**).
13. Cut excess wires, being sure to leave enough to reach the junction box. Separate wires and strip insulation on each 5/8".
14. Connect fixture neutral wire (black) to driver (**L**) output wire (black) using wire nut (**A**).
15. Connect fixture hot wire (red) to driver (**L**) output wire (red) using wire nut (**A**).
16. Connect driver (**L**) input neutral wire (white) to the supply neutral wire (usually white) using wire nut (**A**).
17. Connect driver (**L**) input hot wire (black) to the supply hot wire (usually black) using wire nut (**A**).

CAUTION: Do not reverse the hot and neutral connections.

ASSEMBLY INSTRUCTIONS

Option 2: Ceiling Mounted Driver



Piel 52" Multi-Positional Chandelier

Item # KW5635

NOTICE:

This light fixture should be installed in accordance with all applicable, local installation codes, and by a person familiar with the construction and operation of it, as well as the hazards involved. Inspect item and contents carefully. If any damage or defect is found, do not install. Retain all packaging material until installation is complete and approved.

18. Make sure all wire connections are tight, then carefully tuck into the junction box.
19. Install canopy (**E**) to mounting plate (**B**) and secure with collar ring (**F**).
20. Adjust shade (**U**) to desired angle.

CARE INSTRUCTIONS: Clean only with a soft dry cloth or feather duster. Do not use abrasive or chemical agents.