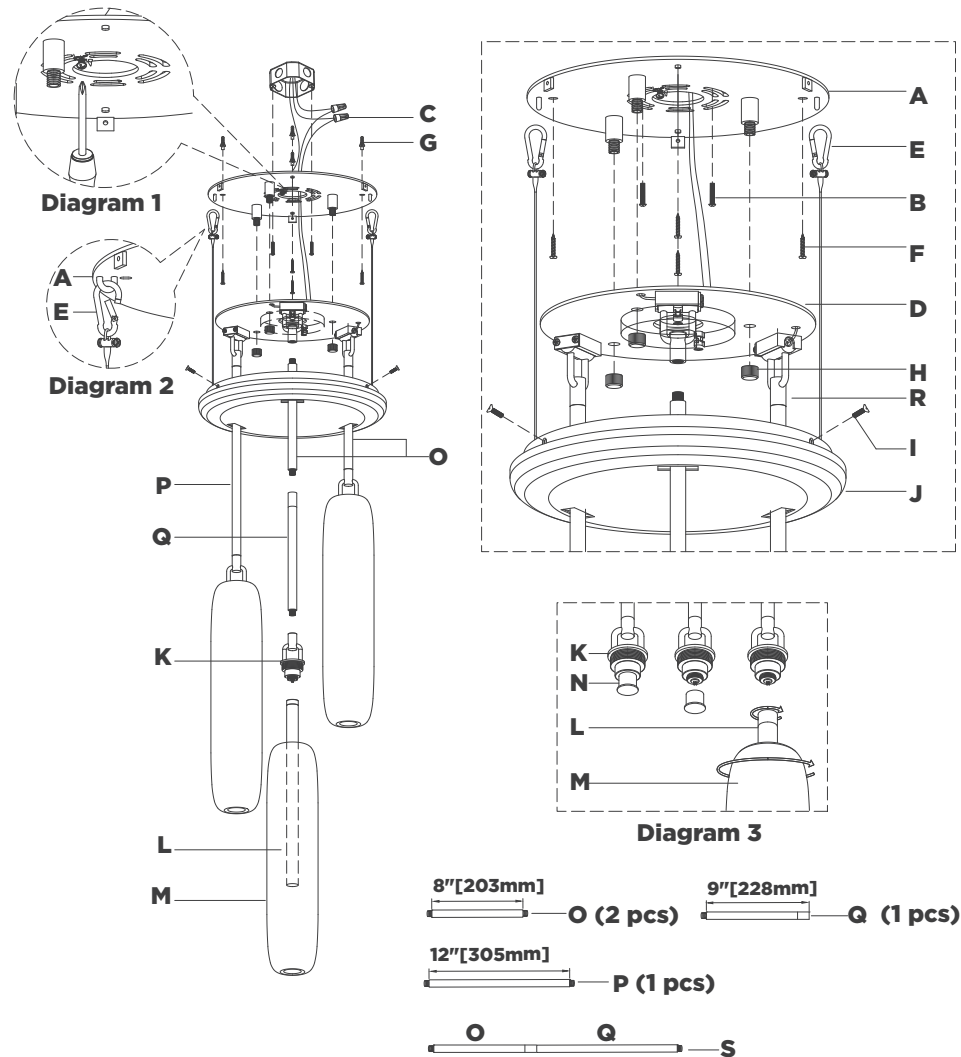


ASSEMBLY INSTRUCTIONS



Formosa 3-Light Pendant

Item # KW5910

NOTICE:

This light fixture should be installed in accordance with all applicable, local installation codes, and by a person familiar with the construction and operation of it, as well as the hazards involved. Inspect item and contents carefully. If any damage or defect is found, do not install. Retain all packaging material until installation is complete and approved.

TOOLS REQUIRED (NOT INCLUDED):

Phillips Screwdriver	Slotted Screwdriver	Hammer
Pencil	Drill	

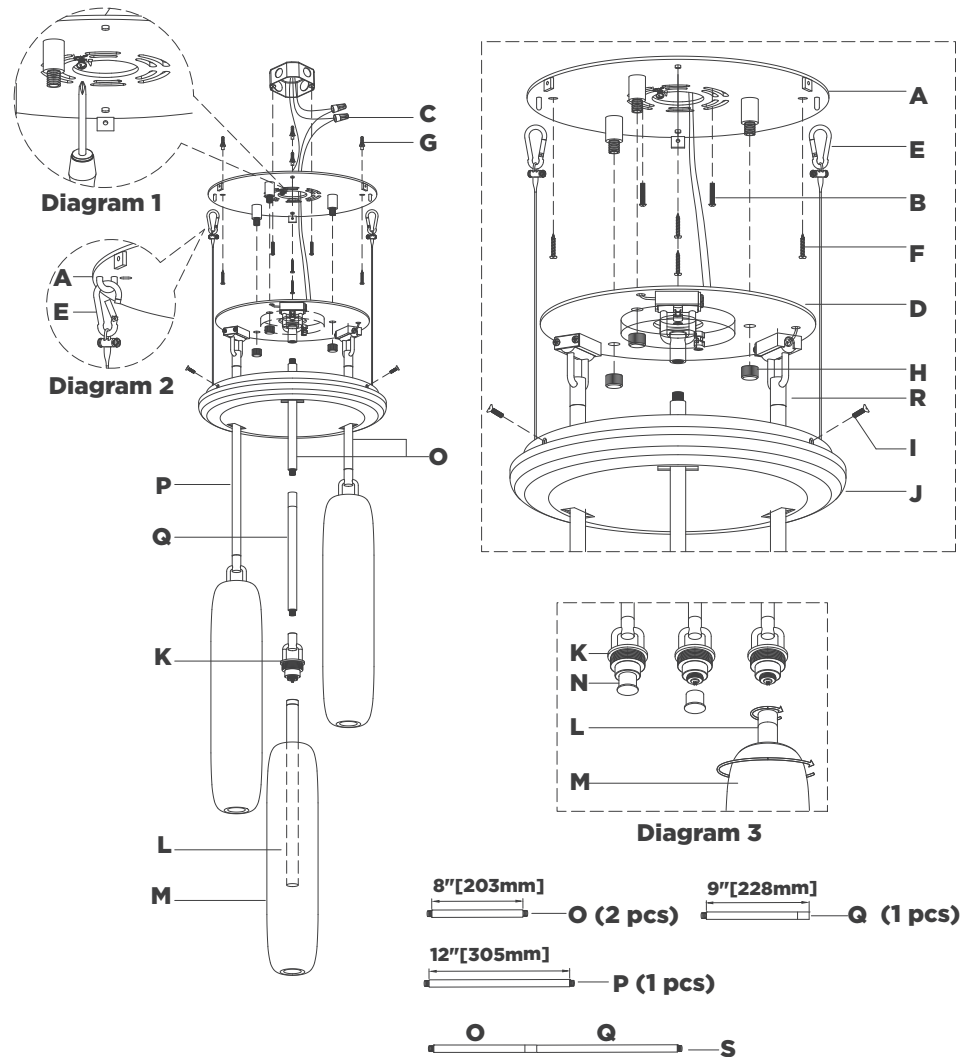
- Carefully remove all parts from the box. Place on a clean, soft surface.
- Remove mounting plate **(A)** from canopy **(J)** by removing screws **(I)**.
- Remove fixture body **(D)** from mounting plate **(A)** by removing threaded caps **(H)**.
- Using mounting plate **(A)** as a guide, line up with the junction box and mark anchor positions.
- Using a drill bit slightly smaller than the anchor, drill holes in the marked positions. Install anchors **(G)** into the holes using a hammer.
- Install mounting plate **(A)** to the junction box and secure with mounting screws **(B)**, then secure wood screws **(F)** to anchors **(G)**.
- Wrap supply ground wire (usually green or bare copper) around the green grounding screw (see diagram 1). Tighten.
- Connect fixture neutral wire (white) to the supply neutral wire (usually white) using wire nut **(C)**.
- Connect fixture hot wire (black) to the supply hot wire (usually black) using wire nut **(C)**.

NOTE: All LED must be installed before testing or restoring power.

NOTE: It is imperative that the fixture is grounded.

CAUTION: Do not reverse the hot and neutral connections.

ASSEMBLY INSTRUCTIONS



Formosa 3-Light Pendant

Item # KW5910

NOTICE:

This light fixture should be installed in accordance with all applicable, local installation codes, and by a person familiar with the construction and operation of it, as well as the hazards involved. Inspect item and contents carefully. If any damage or defect is found, do not install. Retain all packaging material until installation is complete and approved.

10. Make sure all wire connections are tight, then carefully tuck into the junction box.
11. Install fixture body **(D)** to mounting plate **(A)** and secure with threaded caps **(H)**.
12. Hang hooks **(E)** to loops on mounting plate **(A)**, then install canopy **(J)** to mounting plate **(A)** and secure with screws **(I)** (see diagram 2).
13. Assembly rod set **(S)** as show on diagram.
14. Thread rods **(O & Q)** and rod set **(S)** to light source bases **(K)**, then install to connectors **(R)** on bottom of fixture body **(D)** as show on diagram.
15. Remove protective covers **(N)** from light source bases **(K)**, then thread light sources **(L)** to light source bases **(K)** (see diagram 3).
NOTE: Discard protective caps **(N)** after assembly.
16. Thread shades **(M)** to light source bases **(K)**.
NOTE: Do not overtighten otherwise shade could become damaged.
17. Restore power and test fixture.

CARE INSTRUCTIONS: Clean only with a soft dry cloth or feather duster. Do not use abrasive or chemical agents.