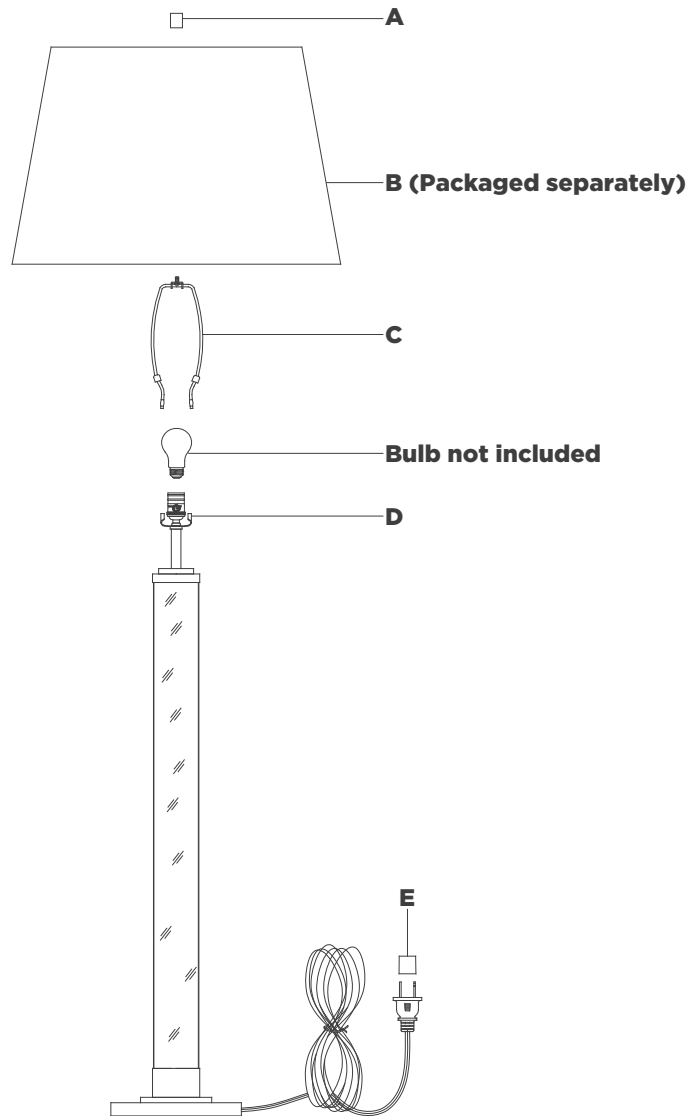


ASSEMBLY INSTRUCTIONS



Wright Large Floor Lamp

Item # S1702

NOTICE:

Inspect item carefully before attempting to install. If there is any damage or obvious defect, do not install. Item may not be returned once it has been installed.

1. Carefully remove all parts from the box. Place on a clean, soft surface.
2. Install harp **(C)** by squeezing together and inserting into the top of saddle **(D)**.
3. Remove finial **(A)** from harp **(C)**.
4. Remove shade **(B)** from packaging and install to harp **(C)** using finial **(A)**.

NOTE: If shade has additional packaging, carefully cut from interior of shade to avoid damage.

5. Install light bulb into the socket.
6. Remove protective cover **(E)** from plug.
7. Plug into electrical outlet and test the fixture.

CARE INSTRUCTIONS: Clean only with a soft dry cloth or feather duster. Do not use abrasive or chemical agents.