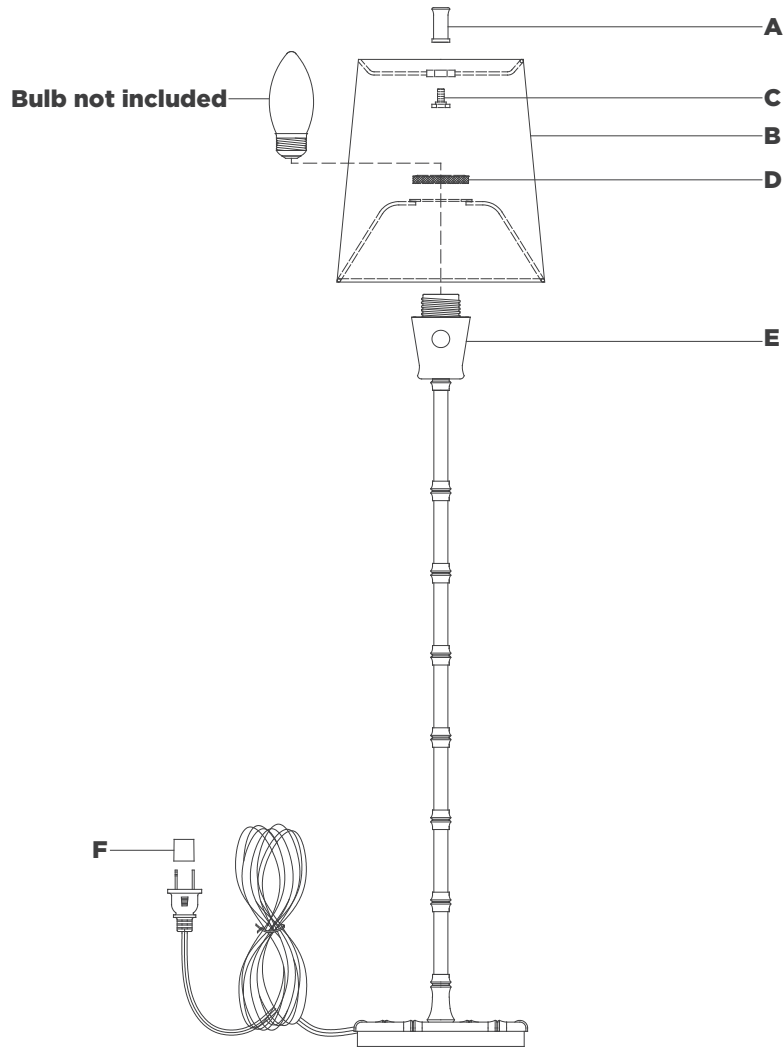


ASSEMBLY INSTRUCTIONS



Grenol Buffet Lamp

Item # S3177

NOTICE:

Inspect item carefully before attempting to install. If there is any damage or obvious defect, do not install. Item may not be returned once it has been installed.

1. Carefully remove all parts from the box. Place on a clean, soft surface.
2. Remove socket ring **(D)** from socket **(E)**.
3. Install shade **(B)** to socket **(E)** and secure with socket ring **(D)**.
NOTE: If shade has additional packaging, carefully cut from interior of shade to avoid damage.
4. Attach finial **(A)** to shade **(B)** and secure with thumbscrews **(C)**.
5. Install light bulb into the socket.
6. Remove protective cover **(F)** from plug.
7. Plug into electrical outlet and test the fixture.

CARE INSTRUCTIONS: Clean only with a soft dry cloth or feather duster. Do not use abrasive or chemical agents.