

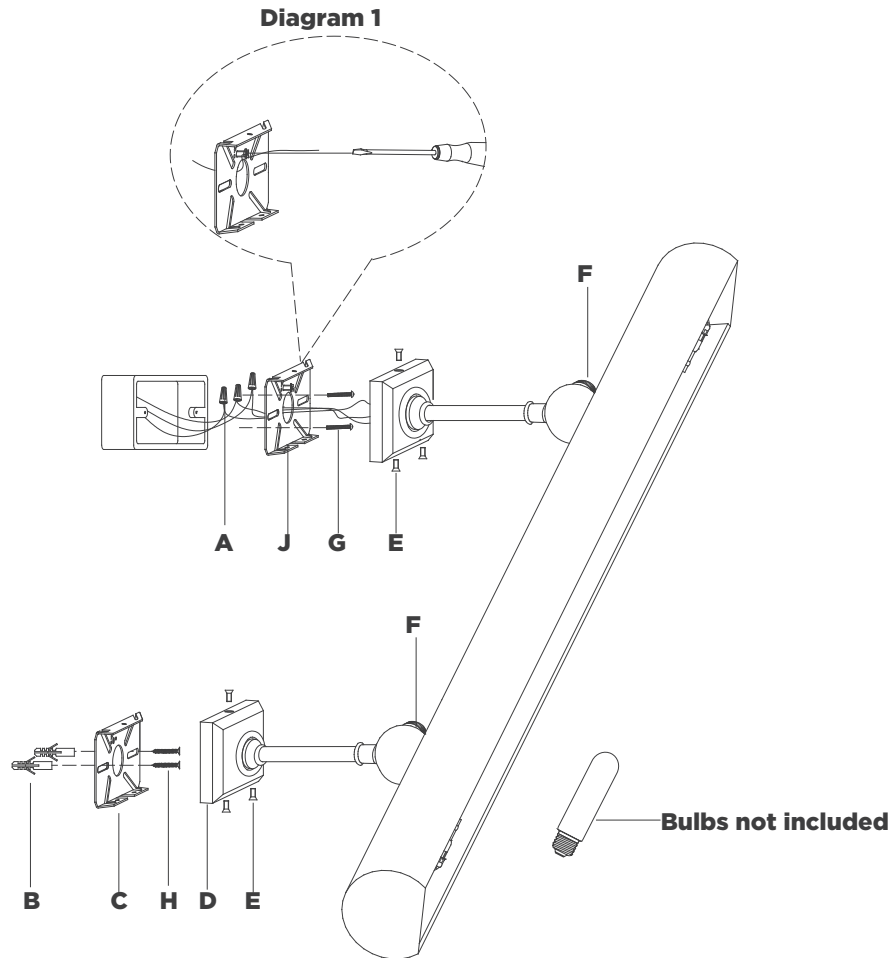
ASSEMBLY INSTRUCTIONS

30" Cabinet Maker's Picture Light

Item # SL2707

NOTICE:

This light fixture should be installed in accordance with all applicable, local installation codes, and by a person familiar with the construction and operation of it, as well as the hazards involved. Inspect item and contents carefully. If any damage or defect is found, do not install. Retain all packaging material until installation is complete and approved.



TOOLS REQUIRED (NOT INCLUDED):

Phillips Screwdriver	Slotted Screwdriver	Hammer
Pencil	Drill	

1. Carefully remove all parts from the box. Place on a clean, soft surface.
2. Remove mounting plates **(C & J)** from backplates **(D)** by removing screws **(E)**.
NOTE: Carefully measure distance between mounting points for mounting plates **(C & J)** before moving to the next step.
3. Using portable mounting plate **(C)** as a guide, mark anchor positions.
4. Using a drill bit slightly smaller than the anchor, drill holes in the marked positions. Install anchors **(B)** into the holes using hammer.
5. Install mounting plate **(J)** to the junction box and secure with mounting screws **(G)**.
6. Install mounting plate **(C)** to wall by securing wood screws **(H)** to anchors **(B)**.
7. Wrap fixture ground wire (bare copper) around the green grounding screw (see diagram 1). Tighten. Continue fixture ground wire and connect to supply ground wire (usually green or bare copper) using wire nut **(A)**.
NOTE: It is imperative that the fixture is grounded.
8. Connect fixture neutral wire (white) to the supply neutral wire (usually white) using wire nut **(A)**.
9. Connect fixture hot wire (black) to the supply hot wire (usually black) using wire nut **(A)**.

CAUTION: Do not reverse the hot and neutral connections.

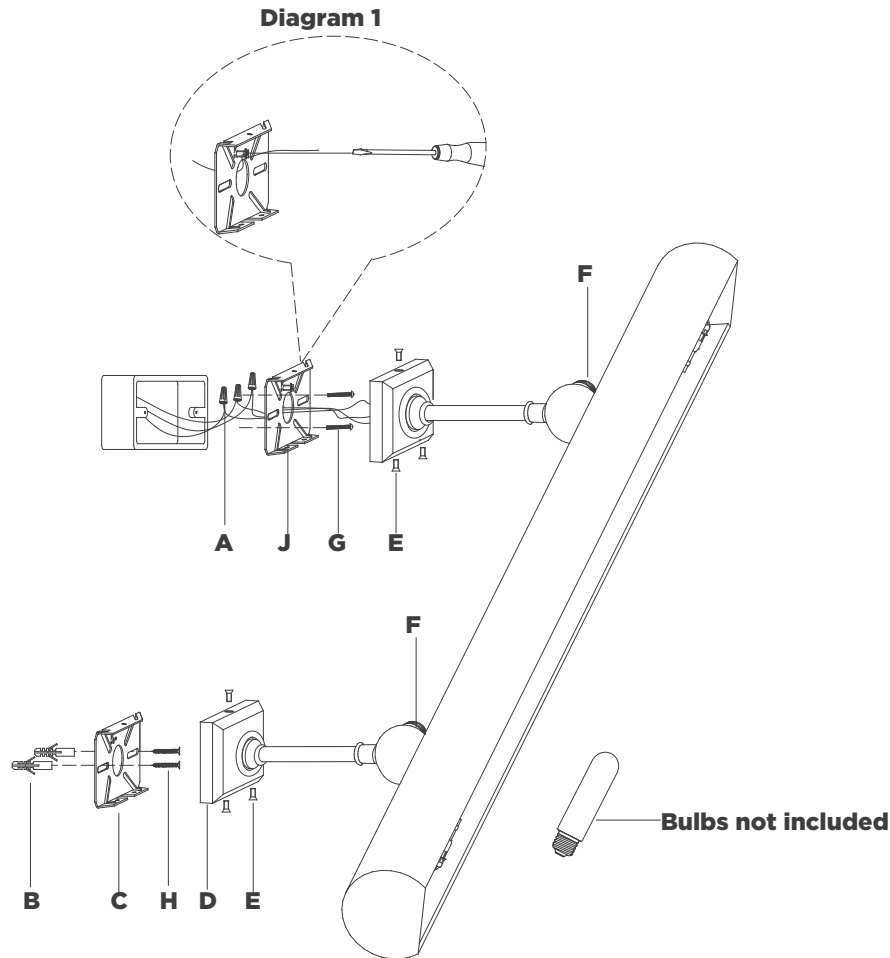
ASSEMBLY INSTRUCTIONS

30" Cabinet Maker's Picture Light

Item # SL2707

NOTICE:

This light fixture should be installed in accordance with all applicable, local installation codes, and by a person familiar with the construction and operation of it, as well as the hazards involved. Inspect item and contents carefully. If any damage or defect is found, do not install. Retain all packaging material until installation is complete and approved.



10. Make sure all wire connections are tight, then carefully tuck into the junction box.
11. Install backplates **(D)** to mounting plate **(C & J)** and secure with screws **(E)**.
12. Install light bulbs into the sockets.
13. To adjust fixture shade loosen adjustment knobs **(F)**, adjust to desired position, then lock tight knobs **(F)**.

CARE INSTRUCTIONS: Clean only with a soft dry cloth or feather duster. Do not use abrasive or chemical agents.