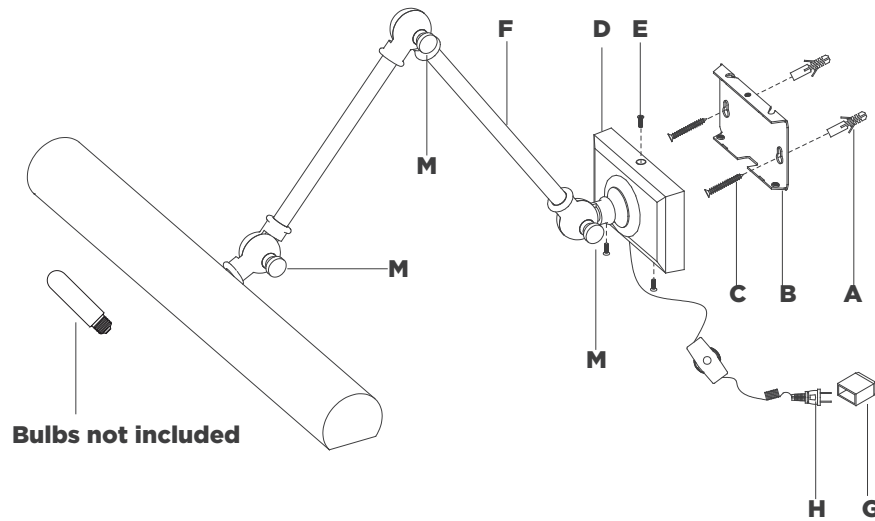


ASSEMBLY INSTRUCTIONS

Portable assembly



Cabinet Maker 18" Double Library Light

Item # SL2710

NOTICE:

This light fixture should be installed in accordance with all applicable, local installation codes, and by a person familiar with the construction and operation of it, as well as the hazards involved. Inspect item and contents carefully. If any damage or defect is found, do not install. Retain all packaging material until installation is complete and approved.

TOOLS REQUIRED (NOT INCLUDED):

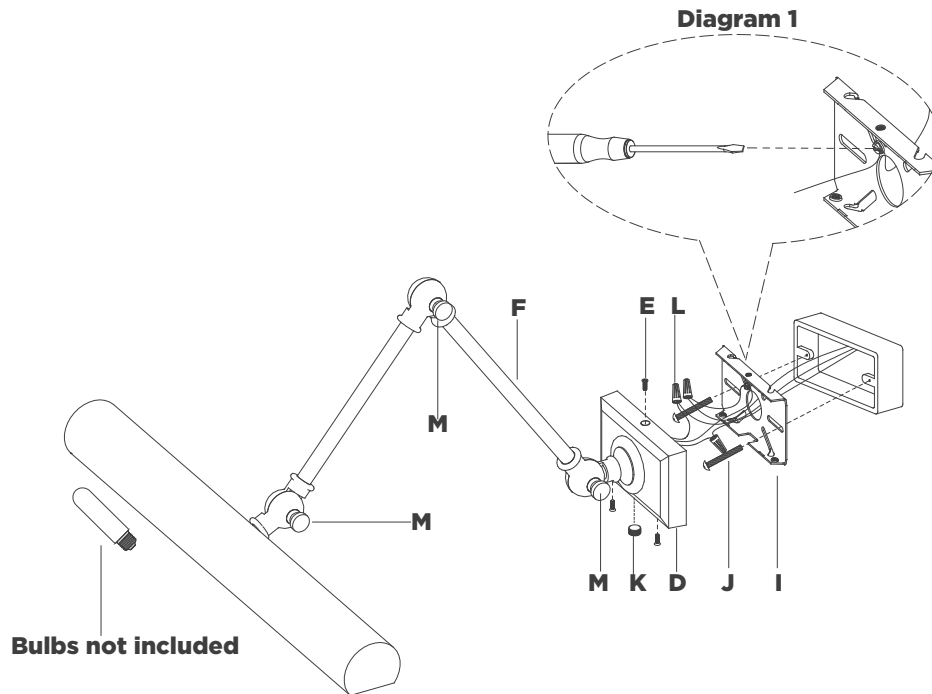
Phillips Screwdriver	Slotted Screwdriver	Hammer
Pencil	Drill	

1. Carefully remove all parts from the box. Place on a clean, soft surface.
2. Remove portable mounting plate **(B)** from fixture **(D)** by removing screws **(E)**.
3. Using portable mounting plate **(B)** as a guide, line up with the wall and mark anchor positions.
4. Using a drill bit slightly smaller than the anchor, drill holes in the marked positions. Install anchors **(A)** into the holes using a hammer.
5. Secure wood screws **(C)** to anchors **(A)**, leaving 1/8" of exposed thread in order to hang fixture.
6. Install portable mounting plate **(B)** to fixture **(D)** by securing with screws **(E)**.
7. Hang fixture **(D)** to wood screws **(C)**.
8. Install light bulbs into the sockets.
9. To adjust the fixture shade and fixture arm **(F)** loosen the adjustment knobs **(M)**, adjust to desired position, then tighten knobs **(M)**.
10. Remove protective cover **(G)** from plug **(H)**.
11. Plug into electrical outlet and test the fixture.

CARE INSTRUCTIONS: Clean only with a soft dry cloth or feather duster. Do not use abrasive or chemical agents.

ASSEMBLY INSTRUCTIONS

Hardwire assembly



Cabinet Maker 18" Double Library Light

Item # SL2710

NOTICE:

This light fixture should be installed in accordance with all applicable, local installation codes, and by a person familiar with the construction and operation of it, as well as the hazards involved. Inspect item and contents carefully. If any damage or defect is found, do not install. Retain all packaging material until installation is complete and approved.

TOOLS REQUIRED (NOT INCLUDED):

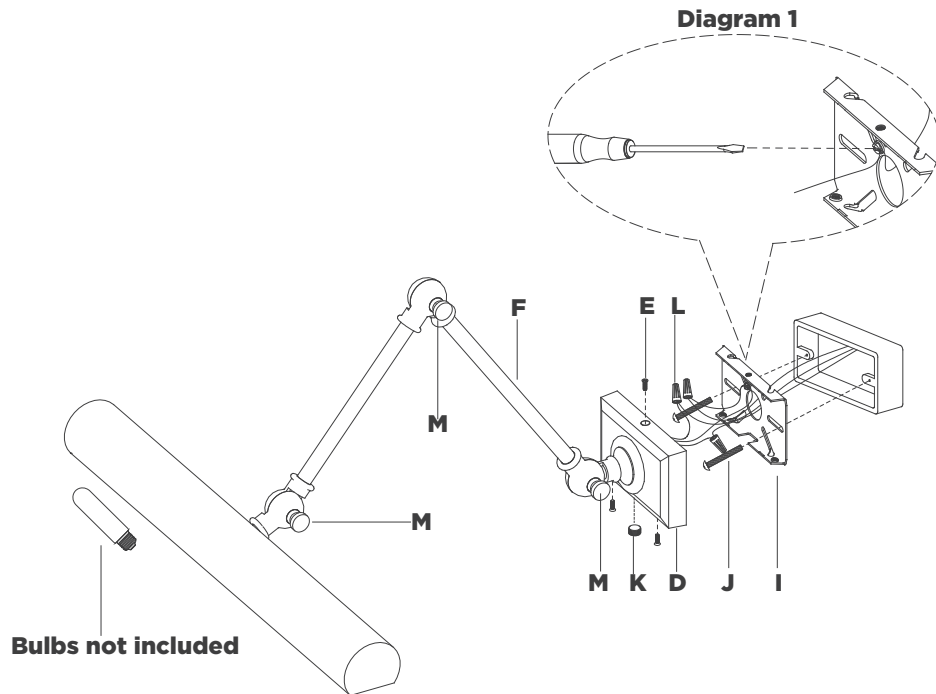
Phillips Screwdriver

Slotted Screwdriver

1. Carefully remove all parts from the box. Place on a clean, soft surface.
 2. Remove portable mounting plate (B) from fixture (D) by removing screws (E).
 3. Install hardwire mounting plate (I) to the junction box and secure with mounting screws (J).
 4. Remove portable cord by loosening the wire nuts.
 5. Insert direct wire plug (K) to the bottom of fixture (D).
 6. Wrap fixture ground wire (bare copper) around the green grounding screw (see diagram 1). Tighten. Continue fixture ground wire and connect to supply ground wire (usually green or bare copper) using wire nut (L).
- NOTE:** It is imperative that the fixture is grounded.
7. Connect fixture neutral wire (white) to the supply neutral wire (usually white) using wire nut (L).
 8. Connect fixture hot wire (black) to the supply hot wire (usually black) using wire nut (L).
- CAUTION:** Do not reverse the hot and neutral connections.
9. Make sure all wire connections are tight, then carefully tuck into the junction box.
 10. Install fixture (D) to hardwire mounting plate (I) and secure with screws (E).

ASSEMBLY INSTRUCTIONS

Hardwire assembly



Cabinet Maker 18" Double Library Light Item # SL2710

NOTICE:

This light fixture should be installed in accordance with all applicable, local installation codes, and by a person familiar with the construction and operation of it, as well as the hazards involved. Inspect item and contents carefully. If any damage or defect is found, do not install. Retain all packaging material until installation is complete and approved.

11. Install light bulbs into the sockets.
12. To adjust the fixture shade and fixture arm (**F**) loosen the adjustment knobs (**M**), adjust to desired position, then tighten knobs (**M**).

CARE INSTRUCTIONS: Clean only with a soft dry cloth or feather duster. Do not use abrasive or chemical agents.