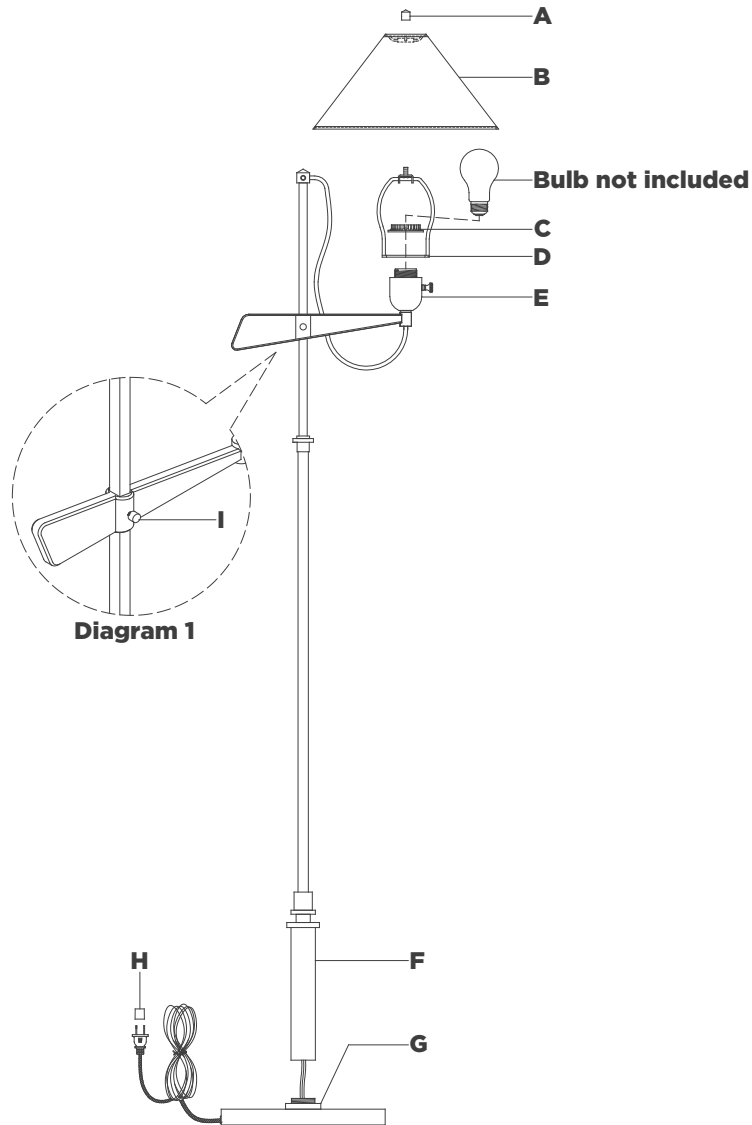


## ASSEMBLY INSTRUCTIONS



## Hargett Bridge Arm Floor Lamp

Item # SP1505

### NOTICE:

Inspect item carefully before attempting to install. If there is any damage or obvious defect, do not install. Item may not be returned once it has been installed.

1. Carefully remove all parts from the box. Place on a clean, soft surface.
2. Thread rod **(F)** to the base **(G)**.
3. Remove socket ring **(C)** from socket cup **(E)**, then install harp to socket cup **(E)** and secure with socket ring **(C)**.
4. Remove finial **(A)** from harp **(D)**.
5. Remove shade **(B)** from packaging and install to harp **(C)** using finial **(A)**.

**NOTE:** If shade has additional packaging, carefully cut from interior of shade to avoid damage.

6. Loosen adjustment knob **(I)** to adjust fixture to desired angle, then adjustment knob **(I)** (see diagram 1).
7. Install light bulb into the socket.
8. Remove protective cover **(H)** from plug.
9. Plug into electrical outlet and test the fixture.

**CARE INSTRUCTIONS:** Clean only with a soft dry cloth or feather duster. Do not use abrasive or chemical agents.