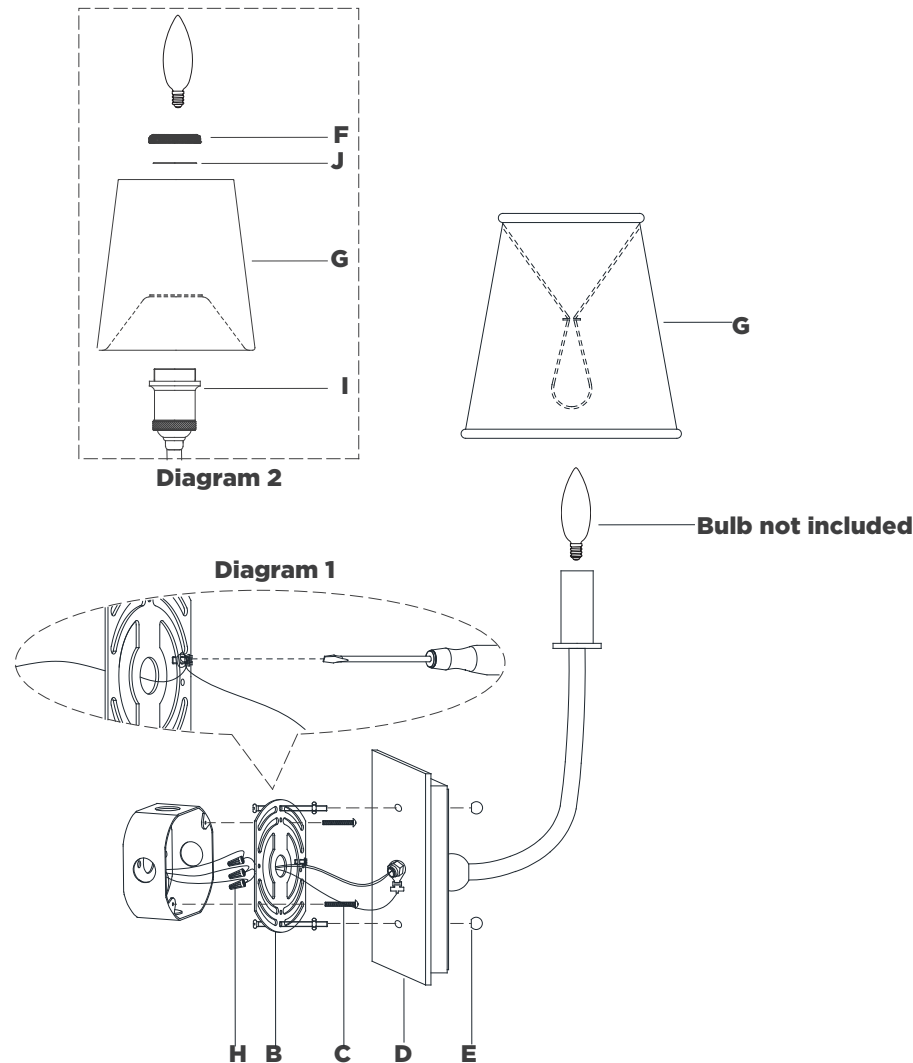


ASSEMBLY INSTRUCTIONS



Hulton Sconce
Item # TOB2190

NOTICE:

This light fixture should be installed in accordance with all applicable, local installation codes, and by a person familiar with the construction and operation of it, as well as the hazards involved. Inspect item and contents carefully. If any damage or defect is found, do not install. Retain all packaging material until installation is complete and approved.

TOOLS REQUIRED (NOT INCLUDED):

Phillips Screwdriver Slotted Screwdriver

1. Carefully remove all parts from the box. Place on a clean, soft surface.
2. Remove mounting plate **(B)** from fixture **(D)** by removing thread caps **(E)**.
3. Install mounting plate **(B)** to the junction box and secure with mounting screws **(C)**.
4. Wrap fixture ground wire (bare copper) around the green grounding screw (see diagram 1). Tighten. Continue fixture ground wire and connect to supply ground wire (usually green or bare copper) using wire nut **(H)**.

NOTE: It is imperative that the fixture is grounded.

5. Connect fixture neutral wire (white) to the supply neutral wire (usually white) using wire nut **(H)**.
6. Connect fixture hot wire (black) to the supply hot wire (usually black) using wire nut **(H)**.

CAUTION: Do not reverse the hot and neutral connections.

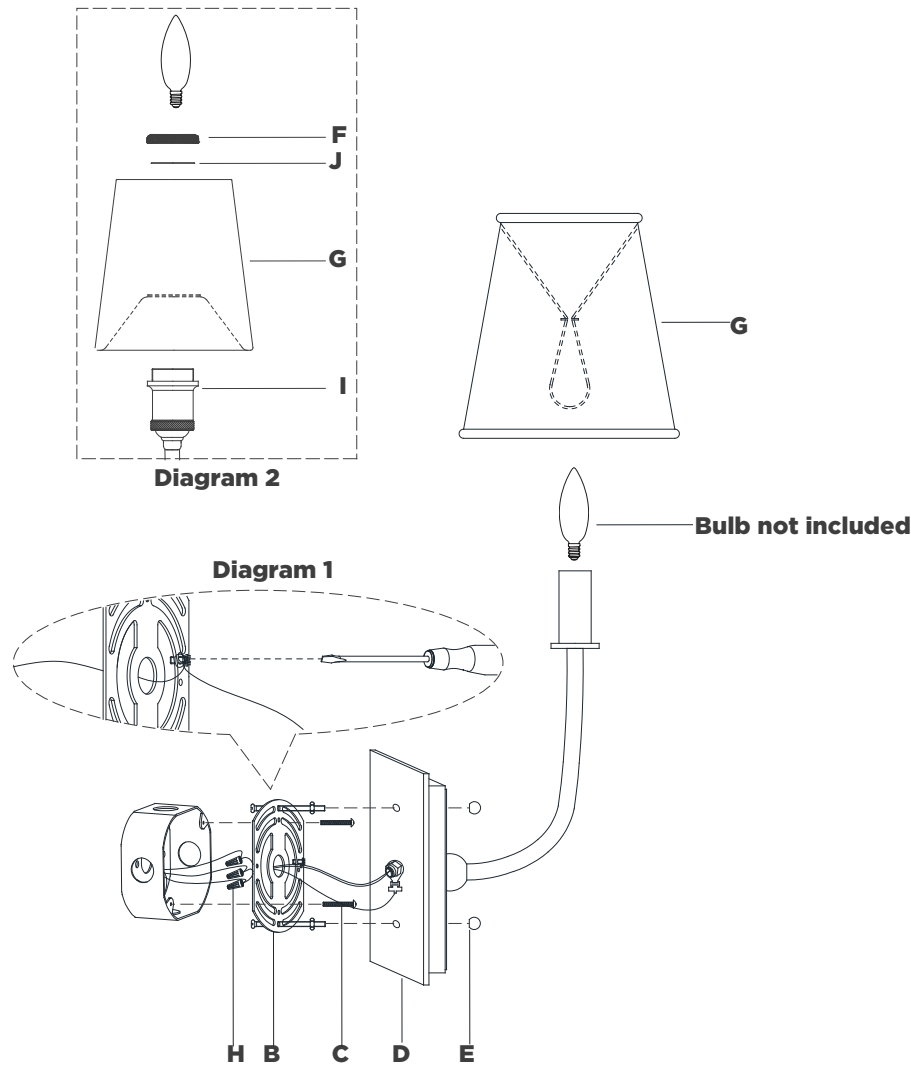
7. Make sure all wire connections are tight, then carefully tuck into the junction box.
8. Install fixture **(D)** to mounting plate **(B)** and secure with thread caps **(E)**.

ASSEMBLY INSTRUCTIONS

Hulton Sconce
Item # TOB2190

NOTICE:

This light fixture should be installed in accordance with all applicable, local installation codes, and by a person familiar with the construction and operation of it, as well as the hazards involved. Inspect item and contents carefully. If any damage or defect is found, do not install. Retain all packaging material until installation is complete and approved.



9. Install light bulb into the socket.

10. Clip shade **(G)** onto light bulb.

NOTE: If shade has additional packaging, carefully cut from interior of shade to avoid damage.

WG GLASS SHADE INSTALLATION:

9. Remove socket ring **(F)** and washer **(J)** from socket cover **(I)**, then install shade **(G)** onto socket cover **(I)** and secure with washer **(J)** and socket ring **(F)** (see diagram 2).

NOTE: Do not overtighten otherwise glass could become damaged.

10. Install light bulb into the socket.

CARE INSTRUCTIONS: Clean only with a soft dry cloth or feather duster. Do not use abrasive or chemical agents.