

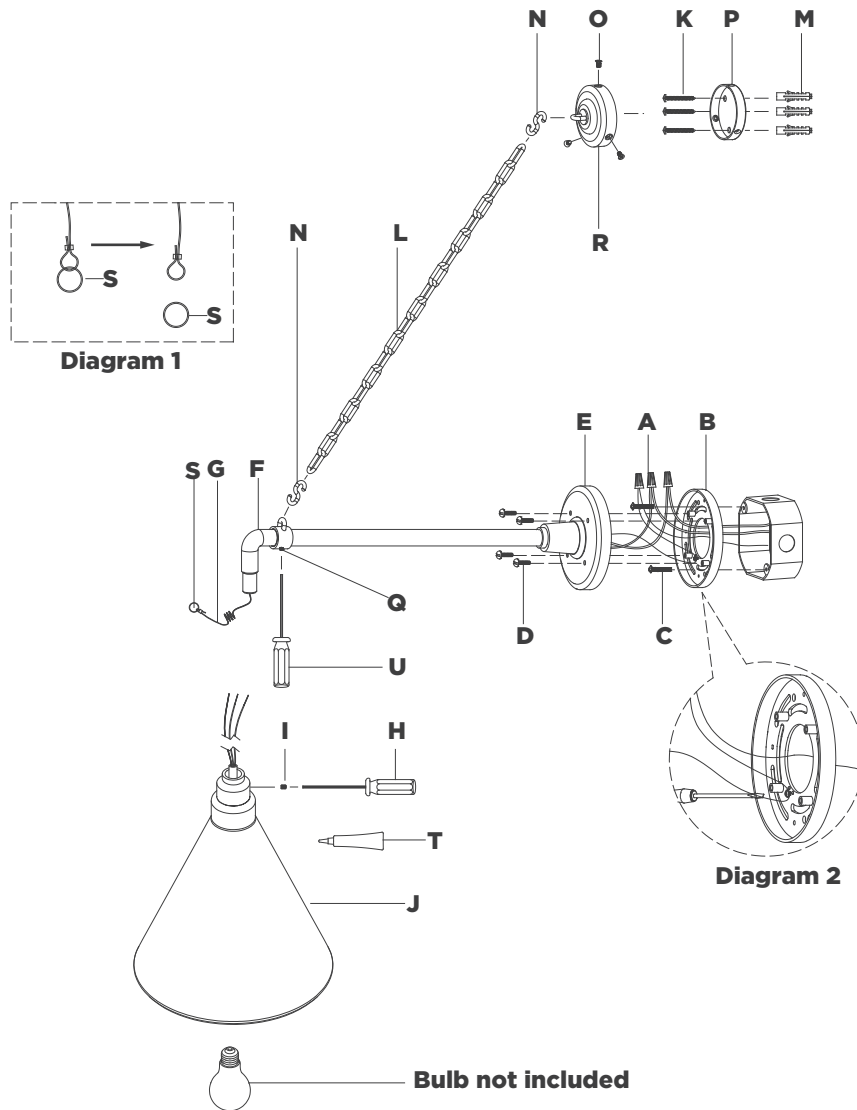
ASSEMBLY INSTRUCTIONS

Academy 17.5" Anchored Mack Barn Light

Item # TOB2813

NOTICE:

This light fixture should be installed in accordance with all applicable, local installation codes, and by a person familiar with the construction and operation of it, as well as the hazards involved. Inspect item and contents carefully. If any damage or defect is found, do not install. Retain all packaging material until installation is complete and approved.



TOOLS REQUIRED (NOT INCLUDED):

Phillips Screwdriver	Slotted Screwdriver	Hammer
Pencil	Drill	

- Carefully remove all parts from the box. Place on a clean, soft surface.
- Remove mounting plates **(B & P)** from backplates **(E & R)** by removing screws **(D & O)**.
NOTE: Carefully measure distance between mounting points for mounting plates **(B & P)** before moving to the next step.
- Using mounting plates **(B & P)** as a guide, mark anchor positions.
- Using a drill bit slightly smaller than the anchor, drill hole in the marked positions. Install anchors **(M)** into the holes using a hammer.
- Install mounting plate **(P)** to anchor **(M)** by securing wood screws **(K)** to anchors **(M)**.
- Install backplate **(R)** to mounting plate **(P)** and secure with screws **(O)**.
- Install mounting plate **(B)** to the junction box and secure with mounting screws **(C)**.
- Feed shade wires through fixture arm **(F)** until reaching backplate **(E)** using provided pull cable **(G)**.
NOTE: Remove ring **(S)** from pull cable before threading (see diagram 1).
- Apply the provided threaded-locking adhesive **(T)** to set screws **(I)**, then install shade **(J)** to fixture arm **(F)** and secure with set screw **(I)** using provided screwdriver **(H)**.

ASSEMBLY INSTRUCTIONS

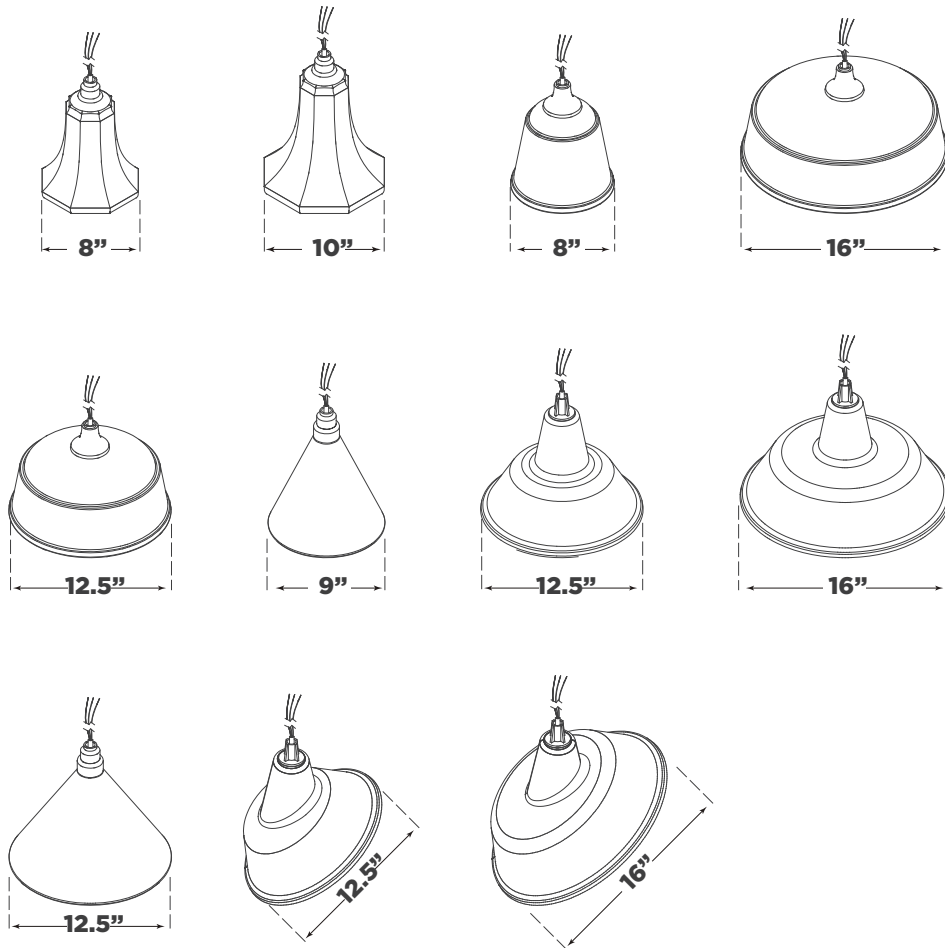
Academy 17.5" Anchored Mack Barn Light

Item # TOB2813

NOTICE:

This light fixture should be installed in accordance with all applicable, local installation codes, and by a person familiar with the construction and operation of it, as well as the hazards involved. Inspect item and contents carefully. If any damage or defect is found, do not install. Retain all packaging material until installation is complete and approved.

Shade Option



10. Wrap fixture ground wire (bare copper) around the green grounding screw (see diagram 2). Tighten. Continue fixture ground wire and connect to supply ground wire (usually green or bare copper) using wire nut **(A)**.

NOTE: It is imperative that the fixture is grounded.

11. Connect fixture neutral wire (white) to the supply neutral wire (usually white) using wire nut **(A)**.
12. Connect fixture hot wire (black) to the supply hot wire (usually black) using wire nut **(A)**.
13. Make sure all wire connections are tight, then carefully tuck into the junction box.

CAUTION: Do not reverse the hot and neutral connections.

14. Install backplate **(E)** to mounting plate **(B)** and secure with screws **(D)**.
15. Attach chain **(L)** to hook on backplate **(R)** and hook on fixture arm **(F)** using s-shape links **(N)**.

NOTE: Tighten set screw **(Q)** using provided screwdriver **(U)** if needed.

16. Install light bulb into the socket.

CARE INSTRUCTIONS: Clean only with a soft dry cloth or feather duster. Do not use abrasive or chemical agents.