

## ASSEMBLY INSTRUCTIONS

## Academy 19.5" Arched Mack Barn Light

Item # TOB2815

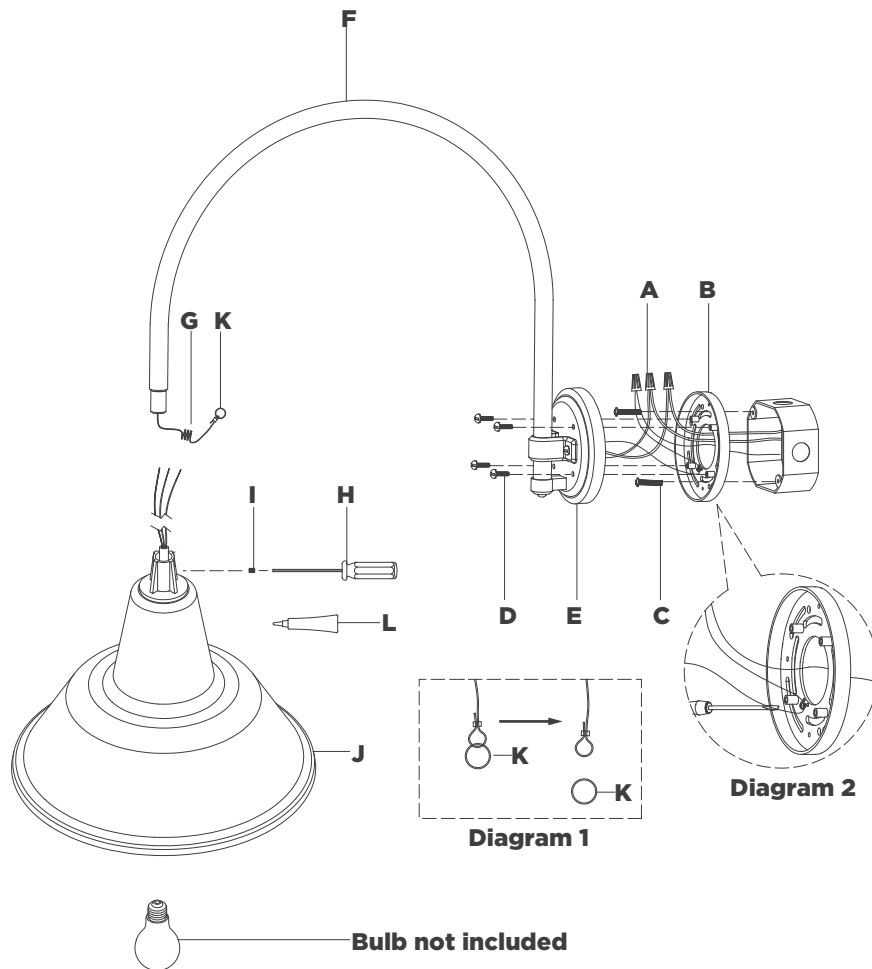
### NOTICE:

This light fixture should be installed in accordance with all applicable, local installation codes, and by a person familiar with the construction and operation of it, as well as the hazards involved. Inspect item and contents carefully. If any damage or defect is found, do not install. Retain all packaging material until installation is complete and approved.

### TOOLS REQUIRED (NOT INCLUDED):

Phillips Screwdriver

Slotted Screwdriver



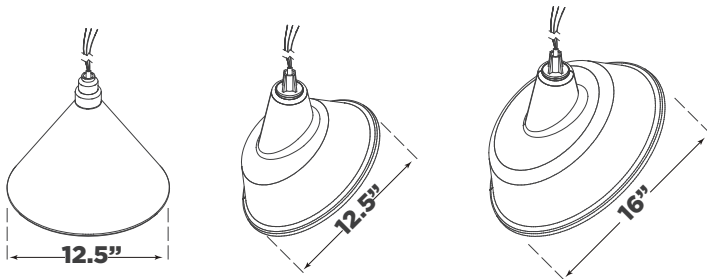
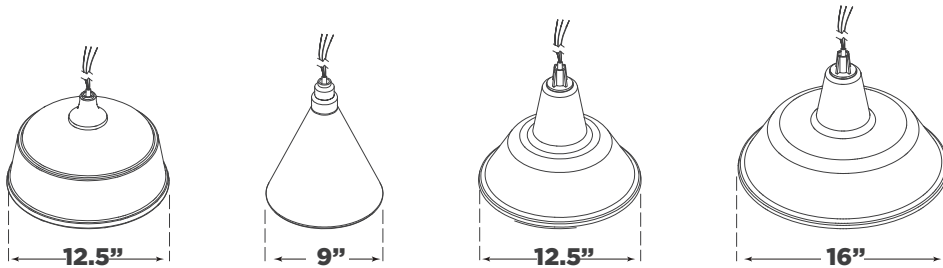
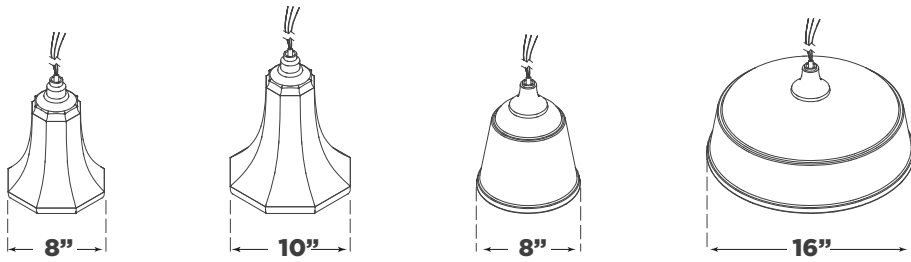
1. Carefully remove all parts from the box. Place on a clean, soft surface.
2. Remove mounting plate (**B**) from backplate (**E**) by removing screws (**D**).
3. Install mounting plate (**B**) to the junction box and secure with mounting screws (**C**).
4. Feed shade wires through fixture arm (**F**) until reaching backplate (**E**) using provided pull cable (**G**).  
**NOTE:** Remove ring (**K**) from pull cable before threading (see diagram 1).
5. Apply the provided threaded-locking adhesive (**L**) to set screws (**I**), then install shade (**J**) to fixture arm (**F**) and secure with set screw (**I**) using provided screwdriver (**H**).
6. Wrap fixture ground wire (bare copper) around the green grounding screw (see diagram 2). Tighten. Continue fixture ground wire and connect to supply ground wire (usually green or bare copper) using wire nut (**A**).  
**NOTE:** It is imperative that the fixture is grounded.
7. Connect fixture neutral wire (white) to the supply neutral wire (usually white) using wire nut (**A**).
8. Connect fixture hot wire (black) to the supply hot wire (usually black) using wire nut (**A**).  
**CAUTION:** Do not reverse the hot and neutral connections.
9. Make sure all wire connections are tight, then carefully tuck into the junction box.

## ASSEMBLY INSTRUCTIONS

### Academy 19.5" Arched Mack Barn Light

Item # TOB2815

#### Shade Option



#### NOTICE:

This light fixture should be installed in accordance with all applicable, local installation codes, and by a person familiar with the construction and operation of it, as well as the hazards involved. Inspect item and contents carefully. If any damage or defect is found, do not install. Retain all packaging material until installation is complete and approved.

10. Install backplate **(E)** to mounting plate **(B)** and secure with screws **(D)**.
11. Install light bulb into the socket.

**CARE INSTRUCTIONS:** Clean only with a soft dry cloth or feather duster. Do not use abrasive or chemical agents.