

ASSEMBLY INSTRUCTIONS

Goodman Large Hanging Lamp

Item # TOB5014

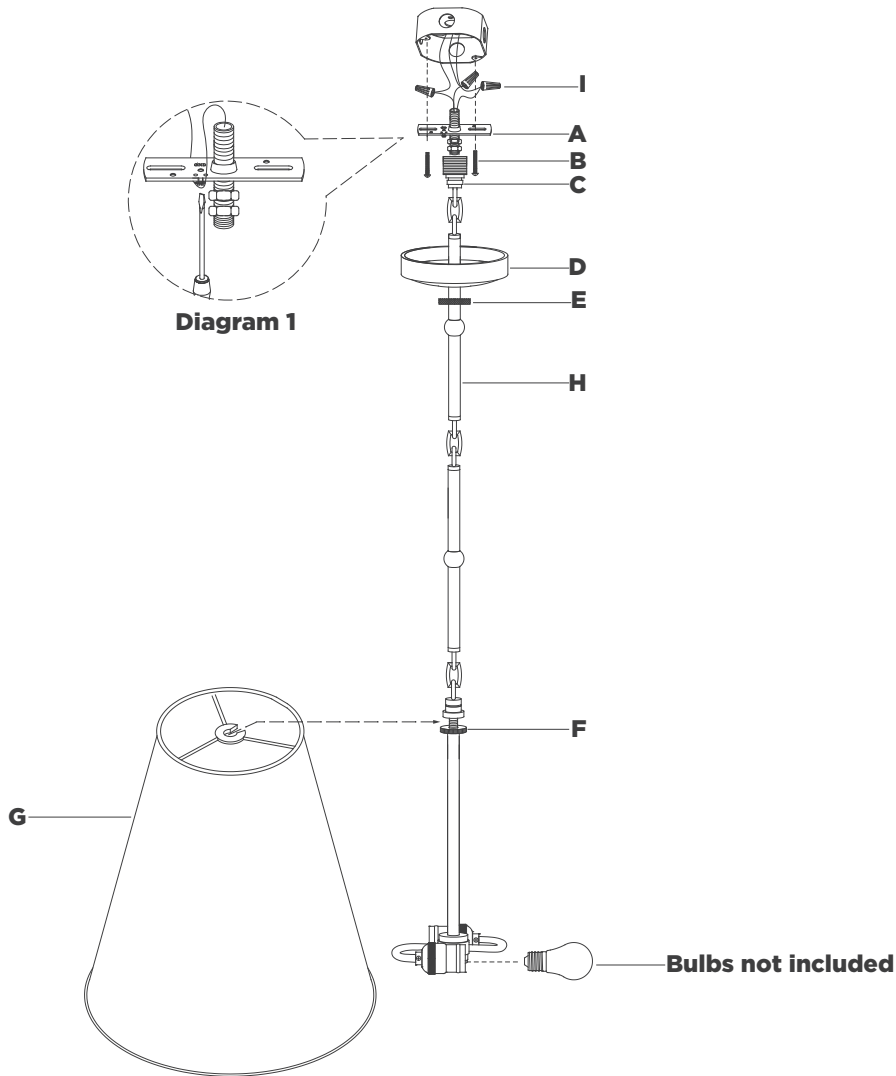
NOTICE:

This light fixture should be installed in accordance with all applicable, local installation codes, and by a person familiar with the construction and operation of it, as well as the hazards involved. Inspect item and contents carefully. If any damage or defect is found, do not install. Retain all packaging material until installation is complete and approved.

TOOLS REQUIRED (NOT INCLUDED):

Phillips Screwdriver	Slotted Screwdriver	Wire Strippers
Slip Joint Pliers	Measuring Tape	Chain Pliers
Wire Cutters		

1. Carefully remove all parts from the box. Place on a clean, soft surface.
2. Loosen collar ring **(E)** and carefully slide collar ring **(E)** and canopy **(D)** down rods **(H)**.
NOTE: Slide components down slowly to avoid damages.
3. Secure collar loop **(C)** to mounting plate **(A)** using pliers to tighten locknut.
4. Install mounting plate **(A)** to the junction box and secure with mounting screws **(B)**.
5. Cut excess wires, being sure to leave enough to reach the junction box.
6. Separate two sides of molded wire, and strip insulation on each 5/8".
7. Twist all fixture wires together, and slip through center hole of collar loop **(C)**.
NOTE: Untwist wires and separate to prepare for connection.
8. Wrap fixture ground wire (bare copper) around the green grounding screw (see diagram 1). Tighten. Continue fixture ground wire and connect to supply ground wire (usually green or bare copper) using wire nut **(I)**.
NOTE: It is imperative that the fixture is grounded.



ASSEMBLY INSTRUCTIONS

Goodman Large Hanging Lamp

Item # TOB5014

NOTICE:

This light fixture should be installed in accordance with all applicable, local installation codes, and by a person familiar with the construction and operation of it, as well as the hazards involved. Inspect item and contents carefully. If any damage or defect is found, do not install. Retain all packaging material until installation is complete and approved.

9. Connect fixture neutral wire (ribbed) to the supply neutral wire (usually white) using wire nut **(I)**.
10. Connect fixture hot wire (smooth with markings) to the supply hot wire (usually black) using wire nut **(I)**.
CAUTION: Do not reverse the hot and neutral connections.
11. Make sure all wire connections are tight, then carefully tuck into the junction box.
12. Install canopy **(D)** to collar loop **(C)** and secure with collar ring **(E)**.
13. Attach shade **(G)** spider to above of knurled ring **(F)** and secure by tightening knurled ring **(F)**.
14. Install light bulb into the socket.

CARE INSTRUCTIONS: Clean only with a soft dry cloth or feather duster. Do not use abrasive or chemical agents.

