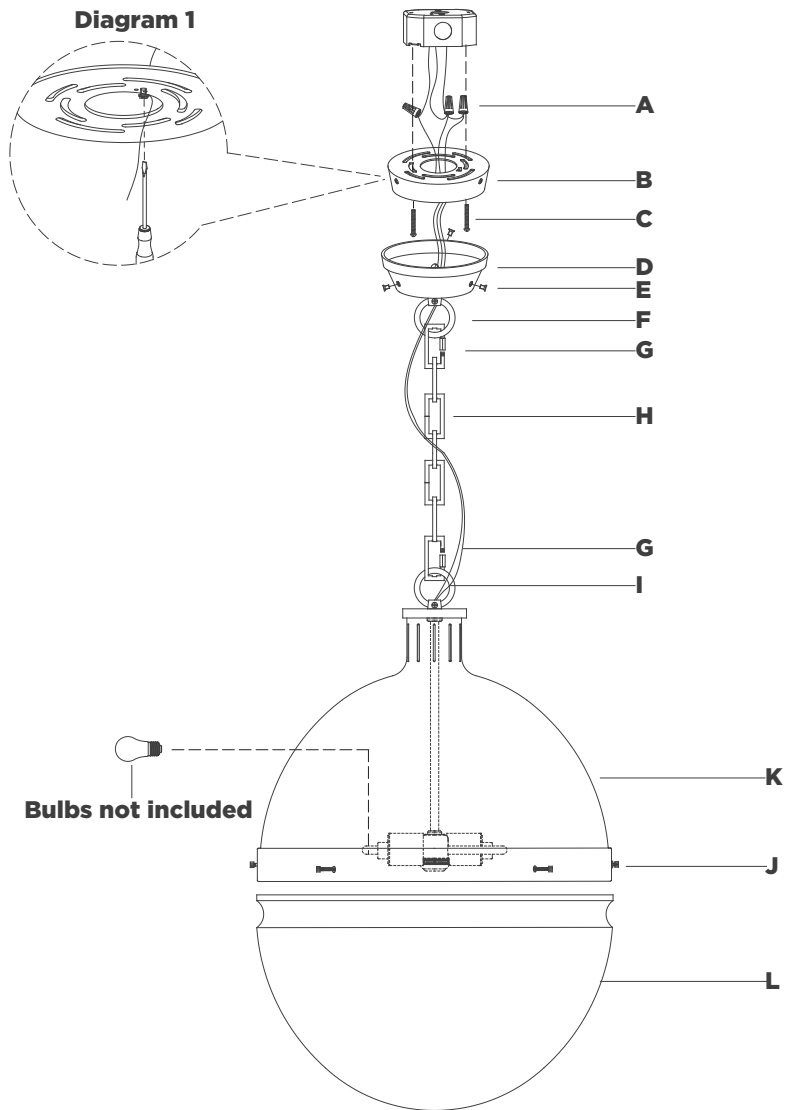




## ASSEMBLY INSTRUCTIONS



## Hicks Large Pendant

Item # TOB5063

### NOTICE:

This light fixture should be installed in accordance with all applicable, local installation codes, and by a person familiar with the construction and operation of it, as well as the hazards involved. Inspect item and contents carefully. If any damage or defect is found, do not install. Retain all packaging material until installation is complete and approved.

9. Connect fixture neutral wire (ribbed) to the supply neutral wire (usually white) using wire nut **(A)**.
10. Connect fixture hot wire (smooth with markings) to the supply hot wire (usually black) using wire nut **(A)**.  
**CAUTION:** Do not reverse the hot and neutral connections.
11. Make sure all wire connections are tight, then carefully tuck into the junction box.
12. Install canopy **(D)** to mounting plate **(B)** and secure with screws **(E)**.
13. Install light bulbs into the sockets.
14. Remove thumbscrews **(J)**, then install shade **(L)** to fixture body **(K)** and secure with the thumbscrews **(J)**.  
**NOTE:** Do not overtighten otherwise glass shade could be damaged.

**CARE INSTRUCTIONS:** Clean only with a soft dry cloth or feather duster. Do not use abrasive or chemical agents.