

## ASSEMBLY INSTRUCTIONS

## Academy 16" Rockhouse Pendant

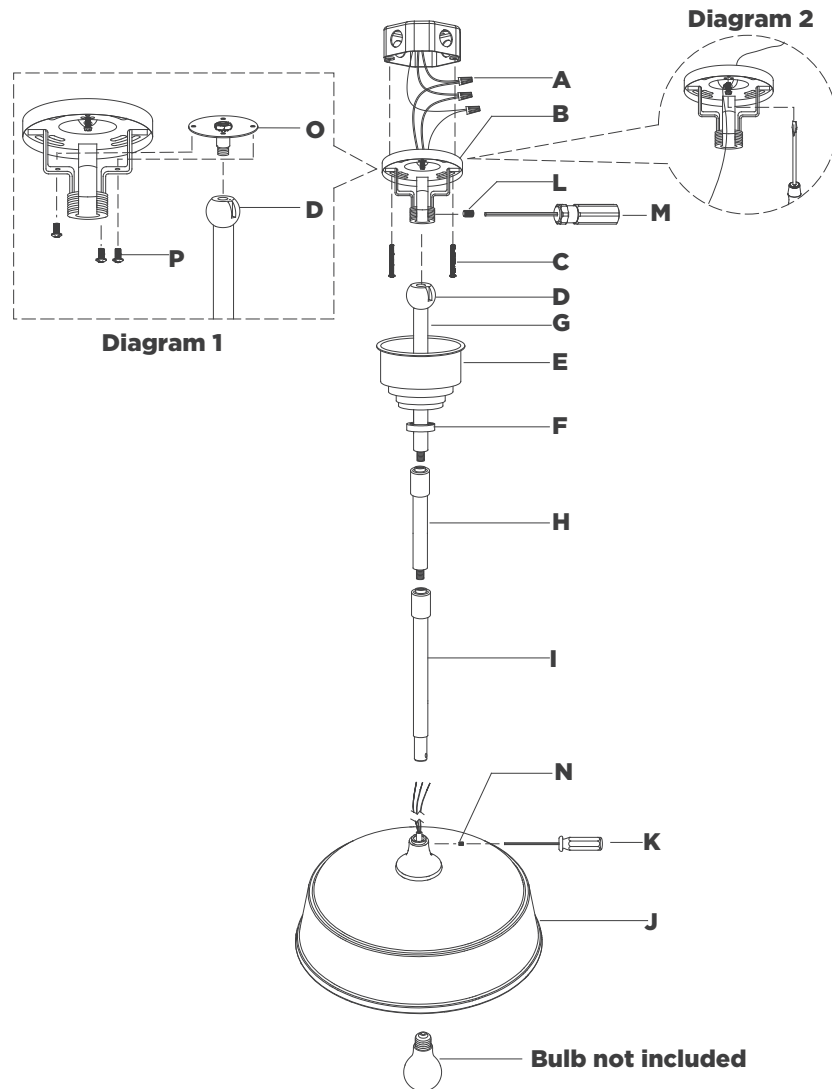
Item # TOB5812

### NOTICE:

This light fixture should be installed in accordance with all applicable, local installation codes, and by a person familiar with the construction and operation of it, as well as the hazards involved. Inspect item and contents carefully. If any damage or defect is found, do not install. Retain all packaging material until installation is complete and approved.

### TOOLS REQUIRED (NOT INCLUDED):

Phillips Screwdriver      Slotted Screwdriver      Wire Strippers  
Wire Cutters



1. Carefully remove all parts from the box. Place on a clean, soft surface.
2. Remove mounting plate **(B)** from canopy **(E)** by removing collar ring **(F)**.
3. Install mounting plate **(B)** to the junction box and secure with mounting screws **(C)**.
4. Feed electrical wires through bottom rod **(I)** and connect to shade **(J)** securing with set screw **(N)** using provided screwdriver **(K)**.
5. Repeat for middle rod **(H)**, connecting to bottom rod **(I)**.
6. Continue feeding wires through collar ring **(F)**, canopy **(E)** and top rod **(G)**.
7. Holding fixture upright, slide collar ring **(F)** and canopy **(E)** down and rest on fixture body **(J)**. Then connect top rod **(G)** to middle rod **(H)**.

**NOTE:** Slide components down slowly to avoid damage.

8. Hang fixture swivel ball **(D)** to the center of mounting plate **(B)** and secure with set screw **(L)** using provided screwdriver **(M)**.

**FLAT CEILING INSTALLATION:** To prevent swaying, use optional metal plate **(O)** to fix pendant rod. Thread metal plate **(O)** to ball **(D)**, secure with screws **(P)** (see diagram 1).

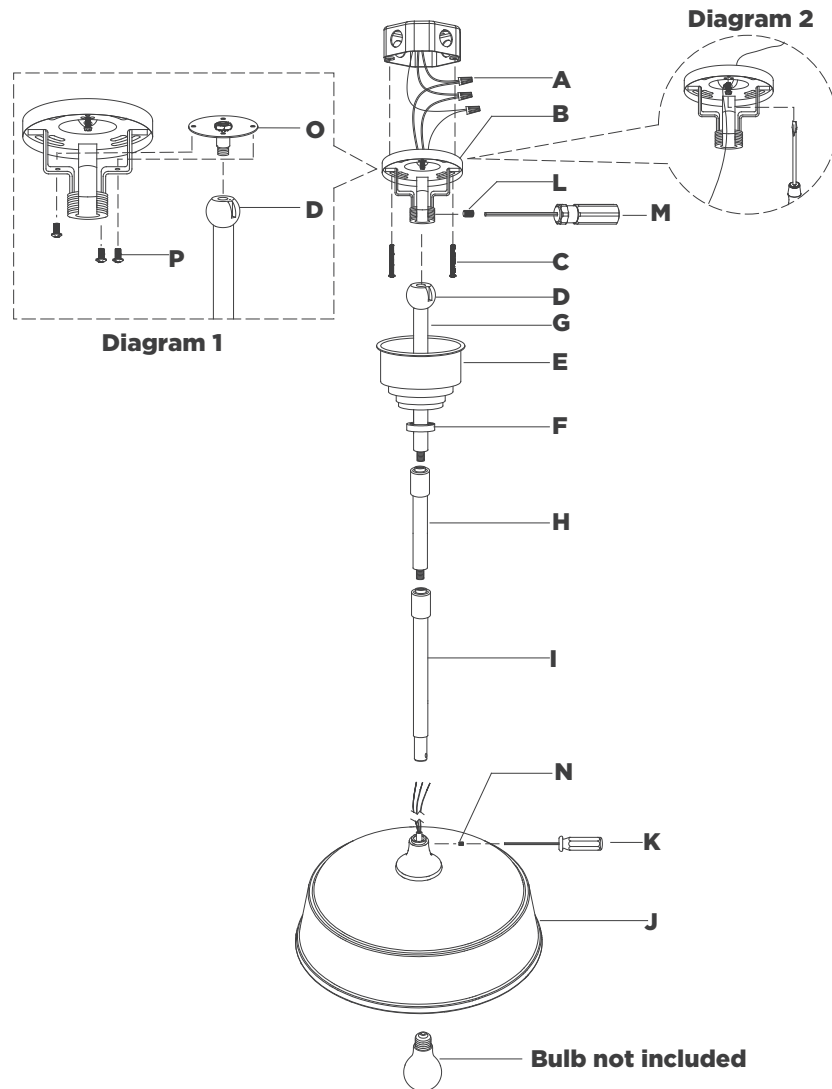
## ASSEMBLY INSTRUCTIONS

### Academy 16" Rockhouse Pendant

Item # TOB5812

#### NOTICE:

This light fixture should be installed in accordance with all applicable, local installation codes, and by a person familiar with the construction and operation of it, as well as the hazards involved. Inspect item and contents carefully. If any damage or defect is found, do not install. Retain all packaging material until installation is complete and approved.



- Cut excess wires, being sure to leave enough to reach the junction box. Separate wires and strip insulation on each 5/8".
  - Wrap fixture ground wire (bare copper) around the green grounding screw (see diagram 2). Tighten. Continue fixture ground wire and connect to supply ground wire (usually green or bare copper) using wire nut (A).
- NOTE:** It is imperative that the fixture is grounded.
- Connect fixture neutral wire (white) to the supply neutral wire (usually white) using wire nut (A).
  - Connect fixture hot wire (black) to the supply hot wire (usually black) using wire nut (A).
- CAUTION:** Do not reverse the hot and neutral connections.
- Make sure all wire connections are tight, then carefully tuck into the junction box.
  - Install canopy (E) to mounting plate (B) and secure with collar ring (F).
  - Install light bulb into the socket.

**CARE INSTRUCTIONS:** Clean only with a soft dry cloth or feather duster. Do not use abrasive or chemical agents.