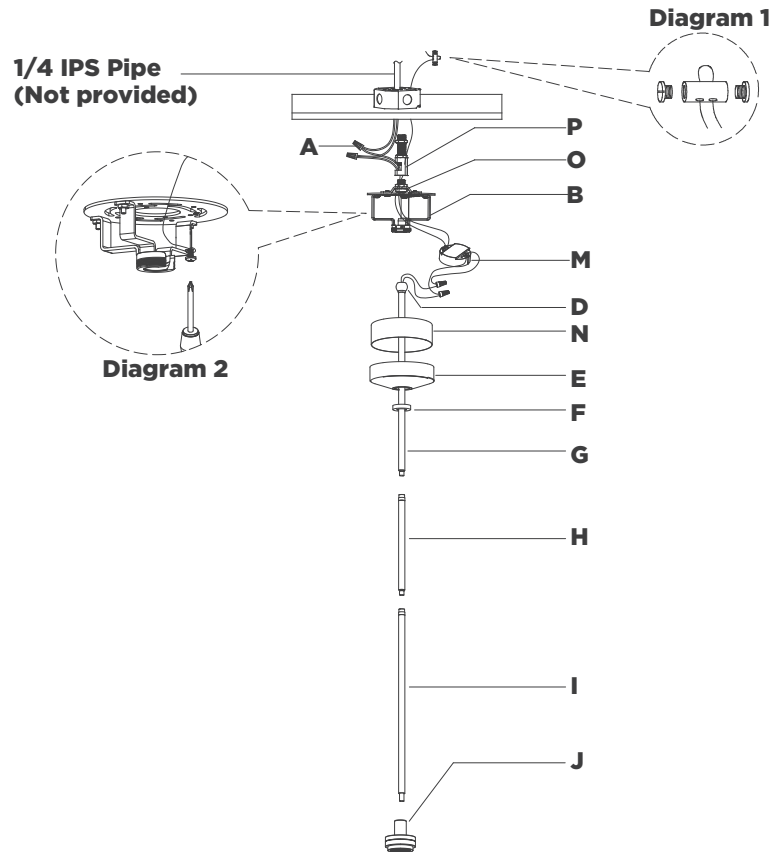




## ASSEMBLY INSTRUCTIONS

### Option 1: Canopy Mounted Driver



## Killarney 32" Layered Chandelier

Item # WF5021

### NOTICE:

This light fixture should be installed in accordance with all applicable, local installation codes, and by a person familiar with the construction and operation of it, as well as the hazards involved. Inspect item and contents carefully. If any damage or defect is found, do not install. Retain all packaging material until installation is complete and approved.

8. Holding fixture upright, slide collar ring (F), canopy (E) and driver housing (O) down and rest on fixture body. Then connect top rod (G) to middle rod (H).
9. Hang fixture swivel ball (D) to the center of mounting plate (B).
10. Cut excess wires, being sure to leave enough to reach the junction box. Separate wires and strip insulation on each 5/8".
11. Loosen cable lock and install to end of safety cable. Run safety cable through junction box and around structural member of building. Insert cable through cable lock and tighten the ends with a screwdriver to secure (see diagram 1).
12. Connect fixture neutral wire (black) to driver (M) output wire (black) using wire nut (A).
13. Connect fixture hot wire (red) to driver (M) output wire (red) using wire nut (A).
14. Connect supply ground wire (usually green or bare copper) around the green grounding screw (see diagram 2). Tighten.
15. Connect driver (M) input neutral wire (white) to the supply neutral wire (usually white) using wire nut (A).
16. Connect driver (M) input hot wire (black) to the supply hot wire (usually black) using wire nut (A).

**CAUTION:** Do not reverse the hot and neutral connections.

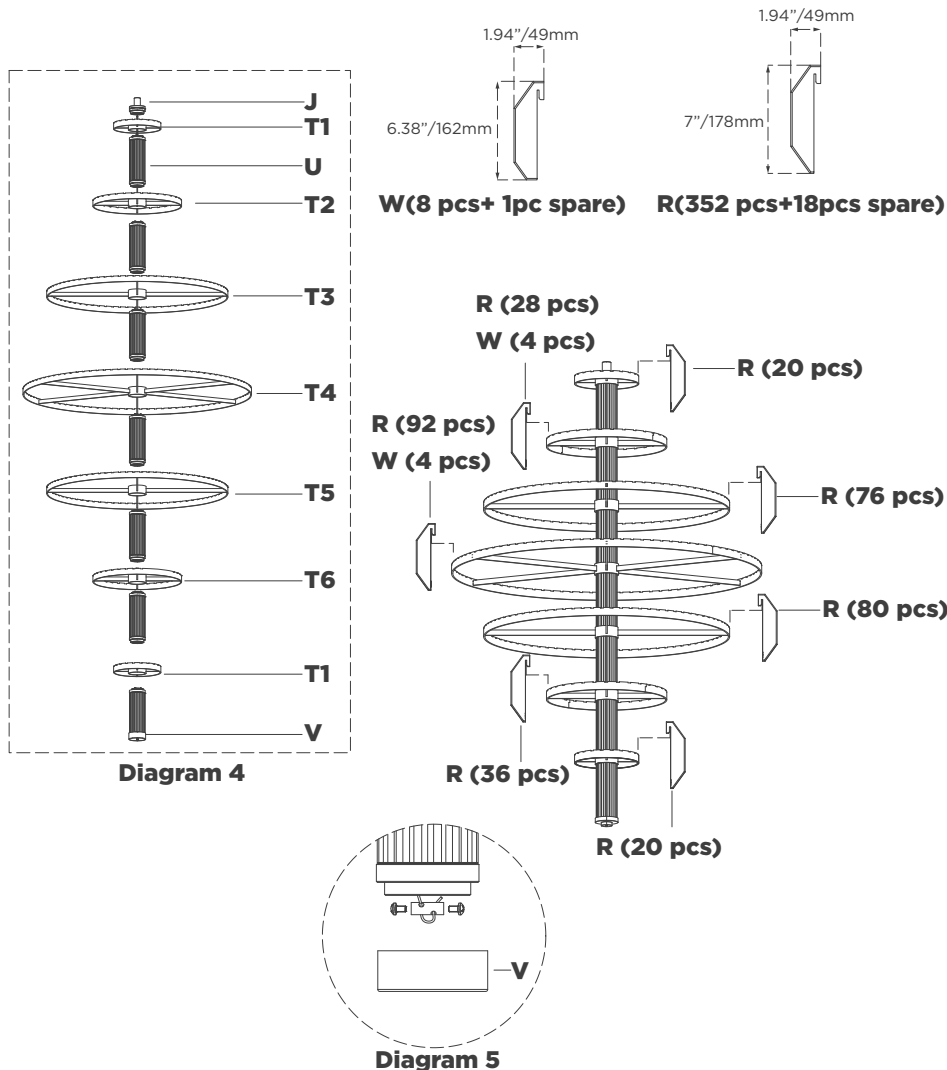
# WATERFORD

IRELAND 1783



## ASSEMBLY INSTRUCTIONS

### Option 1: Canopy Mounted Driver



## Killarney 32" Layered Chandelier

Item # WF5021

### NOTICE:

This light fixture should be installed in accordance with all applicable, local installation codes, and by a person familiar with the construction and operation of it, as well as the hazards involved. Inspect item and contents carefully. If any damage or defect is found, do not install. Retain all packaging material until installation is complete and approved.

17. Make sure all wire connections are tight, then carefully tuck into the junction box.
18. Insert driver (M) into the mounting plate (B) bracket.
19. Install driver housing (N) and canopy (E) to mounting plate (B) and secure with collar ring (F).  
**NOTE:** It is recommended to have a helper assist in supporting the fixture for steps 20-24.
20. Feed the other end of safety cable through fixture ring (T1) and center of LED module, then install fixture ring (T1) to fixture (J) and secure with LED module (U).
21. Repeat fixture rings (T2 & T3 & T4 & T5 & T6 & T1) and secure with LED modules (see diagram 4).
22. Loosen cable lock and install to end of safety cable. Insert cable through cable lock and tighten the ends with a screwdriver to secure (see diagram 5).
23. Thread end cap (V) to bottom of LED module.
24. Hang crystals (R & W) to the fixture rings starting from bottom through to the top.

**NOTE:** Refer to illustration for tiers T2 & T4.

**CARE INSTRUCTIONS:** Clean only with a soft dry cloth or feather duster. Do not use abrasive or chemical agents.

# WATERFORD

IRELAND 1783



## ASSEMBLY INSTRUCTIONS

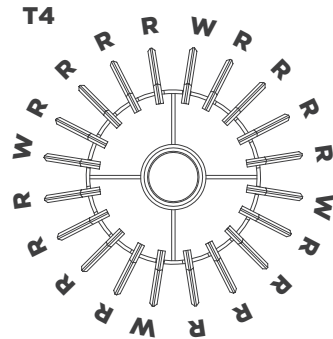
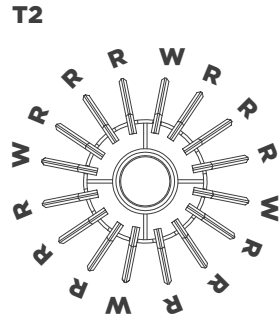
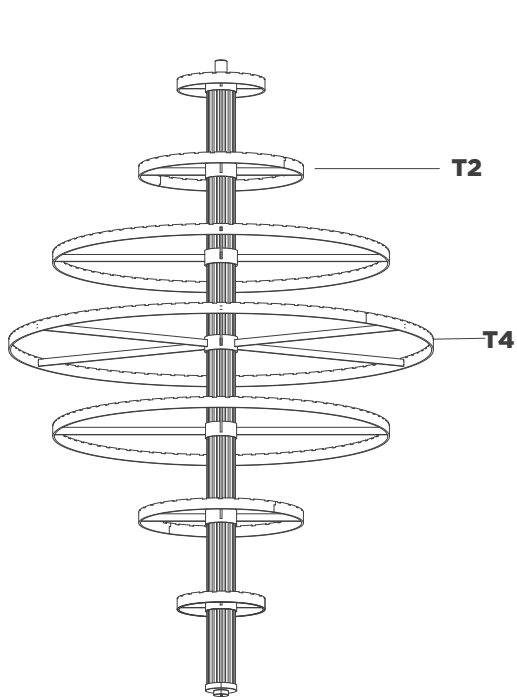
### Option 1: Canopy Mounted Driver

Killarney 32" Layered Chandelier

Item # WF5021

#### NOTICE:

This light fixture should be installed in accordance with all applicable, local installation codes, and by a person familiar with the construction and operation of it, as well as the hazards involved. Inspect item and contents carefully. If any damage or defect is found, do not install. Retain all packaging material until installation is complete and approved.



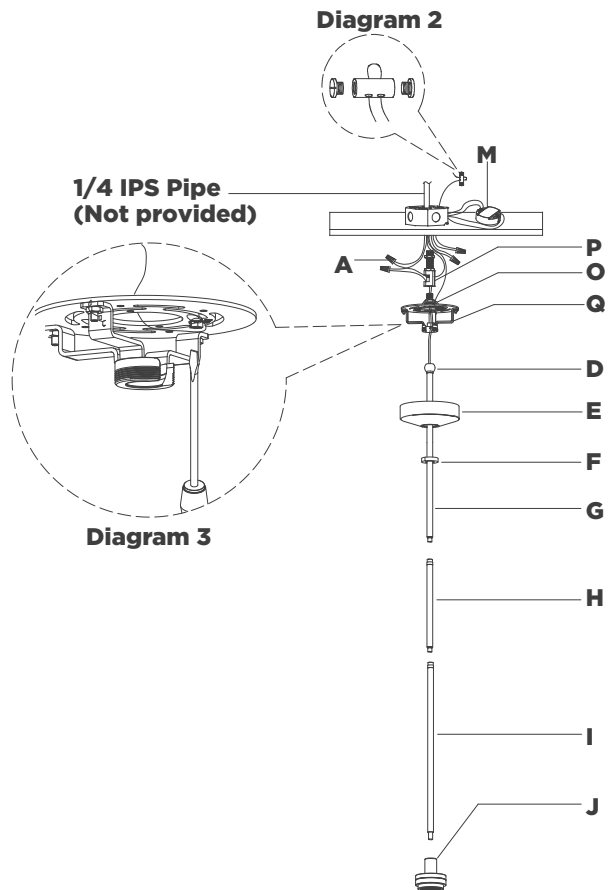
WATERFORD

IRELAND 1783



## ASSEMBLY INSTRUCTIONS

### Option 2: Ceiling Mounted Driver



## Killarney 32" Layered Chandelier

Item # WF5021

### NOTICE:

This light fixture should be installed in accordance with all applicable, local installation codes, and by a person familiar with the construction and operation of it, as well as the hazards involved. Inspect item and contents carefully. If any damage or defect is found, do not install. Retain all packaging material until installation is complete and approved.

### Ceiling Mounted Driver Installation:

1. Carefully remove all parts from the box. Place on a clean, soft surface.
2. Place driver **(M)** into ceiling and route all wires through one of the knockouts in the junction box.
3. Remove canopy **(E)** from mounting plate **(Q)** by removing collar ring **(F)**.  
**NOTE:** Driver housing **(N)** will be not be used for ceiling mounted assembly. Keep part and store for future use.
4. Remove hickey **(P)** from mounting bracket **(O)** by removing hex nut.
5. It is recommended to install a 1/4 IPS threaded pipe, secured to a structural member of the building. Then install hickey **(P)** into threaded pipe and tighten with wrench.  
**NOTE:** Item must be supported independent of the junction box due to hanging weight.
6. Install threaded nipple on top of mounting bracket **(O)** to hickey **(P)**.
7. Follow the canopy-mounted driver instructions to complete the remaining installation steps.

# WATERFORD

IRELAND 1783

