

TEAR SHEET

Academy 17.5" Anchored Mack Barn Light

Item # TOB 2813MBK/S1-SC

Designer: Thomas O'Brien

Height: 27.5"

Width: 12.5"

Extension: 23.5"

Backplate: 4.75" Round

Finishes: HAB, MBK, SC

Shade Treatments: G, HAB, MBK, SC, WHT

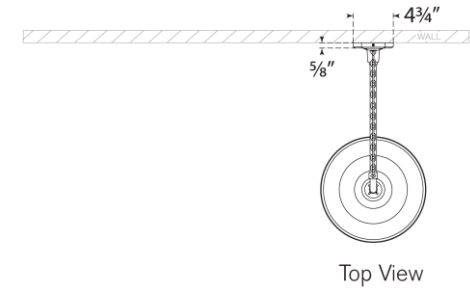
Shade Details: 12.5"

Socket: E26 Keyless

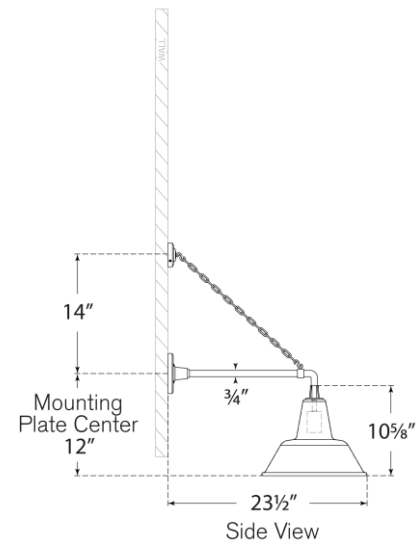
Wattage: 15 LED A19

Weight: 6 Pounds

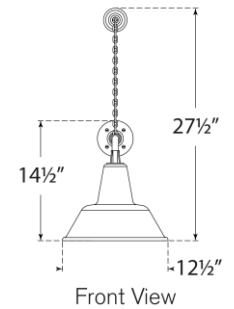
Note: UL Only



Top View



Side View



Front View