

TEAR SHEET

Oso 25" Arc Table Lamp

Item # TOB 3130PN-WHT

Designer: Thomas O'Brien

Height: 25.25"

Width: 9"

Extension: 25"

Base: 8.75" Round

Finishes: MI/HAB, PN

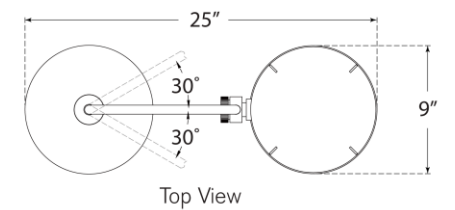
Shade Treatments: BLK, MI, WHT

Lightsource: Dedicated LED w/ Touch Dimmer

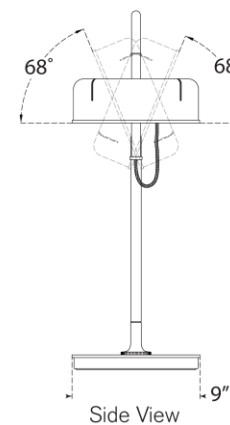
Wattage: 6w (800lm)

Weight: 23 Pounds

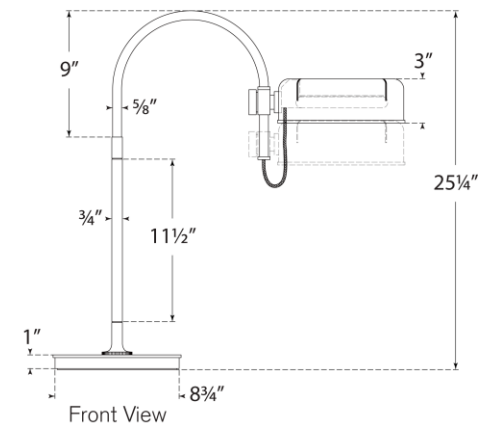
Note: UL Only



Top View



Side View



Front View